

LAK-2-0.02

NOTES

MATERIALS

THE OVERHEAD SPAN TRUSS SHALL BE ALUMINUM AND THE END FRAMES SHALL BE STEEL.

SPAN TRUSS AND END FRAMES, INCLUDING HARDWARE, SHALL BE IN ACCORDANCE WITH SUPPLEMENTAL SPECIFICATION 816 UNLESS OTHERWISE NOTED.

STEEL POLE BASES AND GUSSETS SHALL CONFORM TO THE REQUIREMENTS OF ASTM SPECIFICATION A-373.

AFTER FABRICATION THE TAPERED POLES SHALL HAVE A MINIMUM YIELD STRENGTH OF 48,000 PSI.

FABRICATION

THE ENTIRE STEEL END FRAME SHALL BE HOT DIP GALVANIZED IN ACCORDANCE WITH SEC. 711.02. MAXIMUM LENGTH OF SPAN SECTIONS IS 30 FT.

ERECTION

USE A MINIMUM OF 1" CAMBER IN SPAN TRUSS MEMBER FOR A 50' SPAN; ADD 1/4" OF CAMBER FOR EACH 5' OF INCREASE IN SPAN OVER 50'.

PAYMENT

PAYMENT FOR THE GALVANIZED CONDUIT SHALL BE INCLUDED IN THE UNIT PRICE BID FOR OVERHEAD SIGN SUPPORTS.

SOILS

THE FOUNDATION DETAILS SHOWN ARE FOR AVERAGE SOIL CONDITIONS (MEDIUM CLAY, CEMENTED SAND AND GRAVEL, SANDY CLAY, OR STIFF CLAY).

FOR POOR SOIL CONDITIONS, INCREASE "D" MIN. BY: 50% IN DRY OR WET SAND, 60% IN SILTY CLAY, 100% IN SOFT CLAY, AND FROM 75% TO 150% IN WET SILT, DEPENDING ON QUICKSAND ACTION.

REINFORCING STEEL

COST OF REINFORCING STEEL SHALL BE INCLUDED IN THE UNIT PRICE FOR ITEM 816 CONCRETE FOR SIGN SUPPORT FOUNDATIONS.

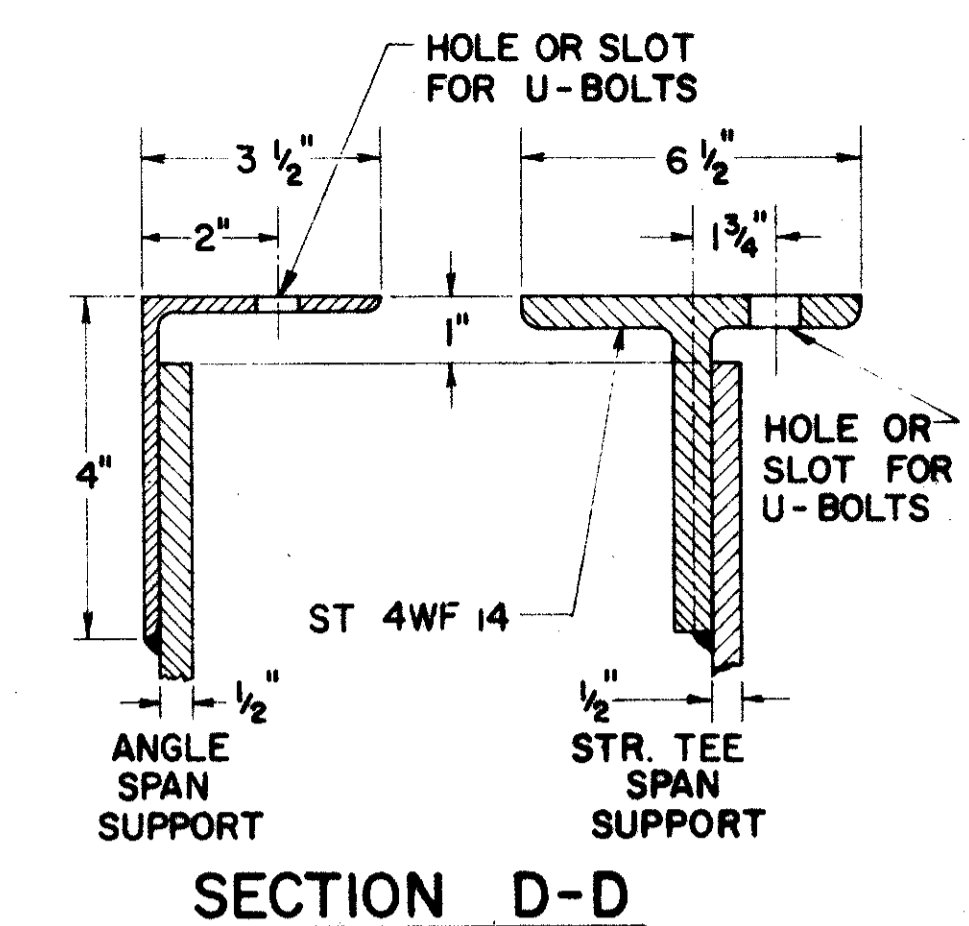
BAR SIZE IS INDICATED IN THE BAR MARK. THE FIRST DIGIT WHERE THREE DIGITS ARE USED AND THE FIRST TWO DIGITS WHERE FOUR ARE USED, INDICATE THE BAR SIZE NUMBER.

***FOUNDATION ELEVATION**

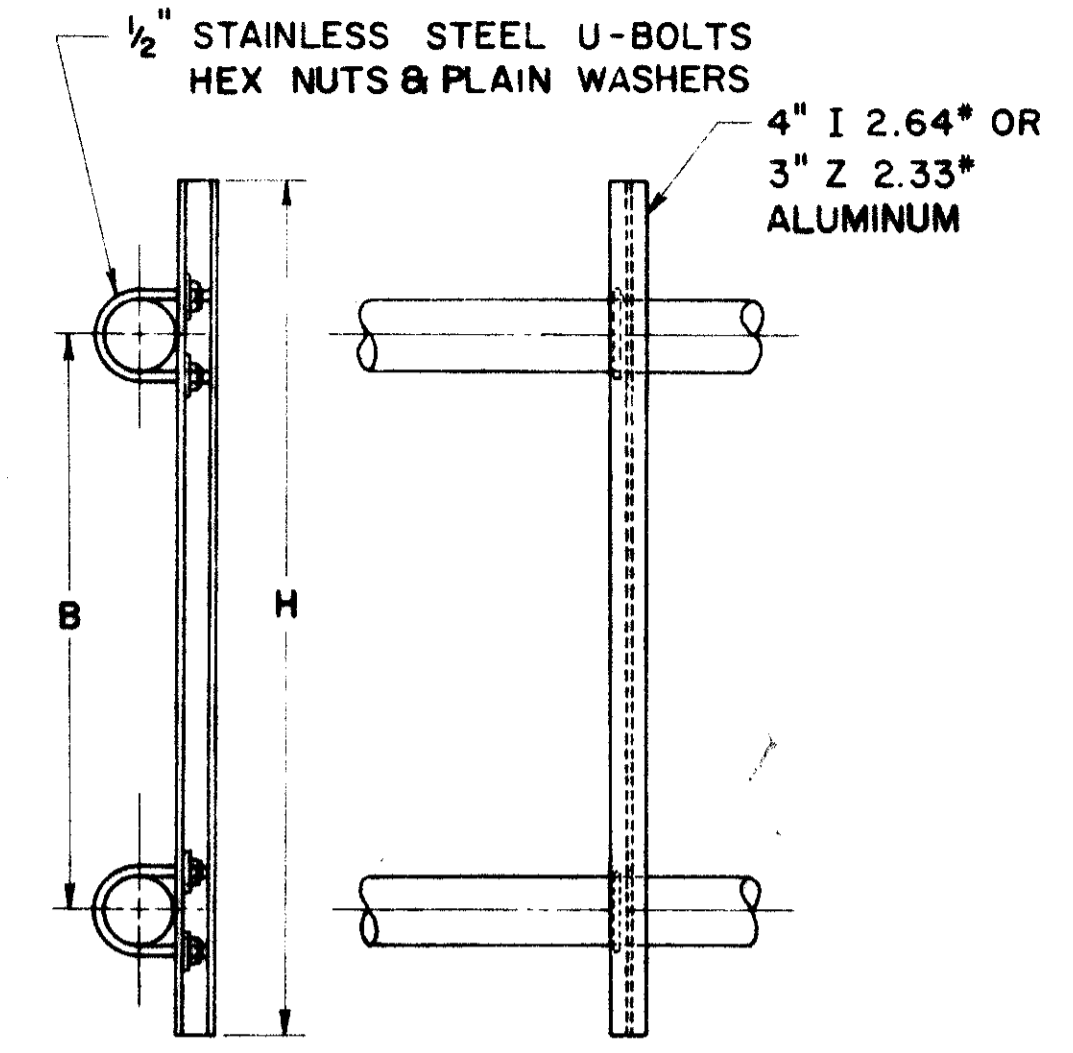
ELEVATION OF TOPS OF FOUNDATIONS SHALL BE BUILT UP SO THAT 17' CLEARANCE IS MAINTAINED OVER THE ENTIRE WIDTH OF PAVEMENT AND SHOULDERS.

DESIGN

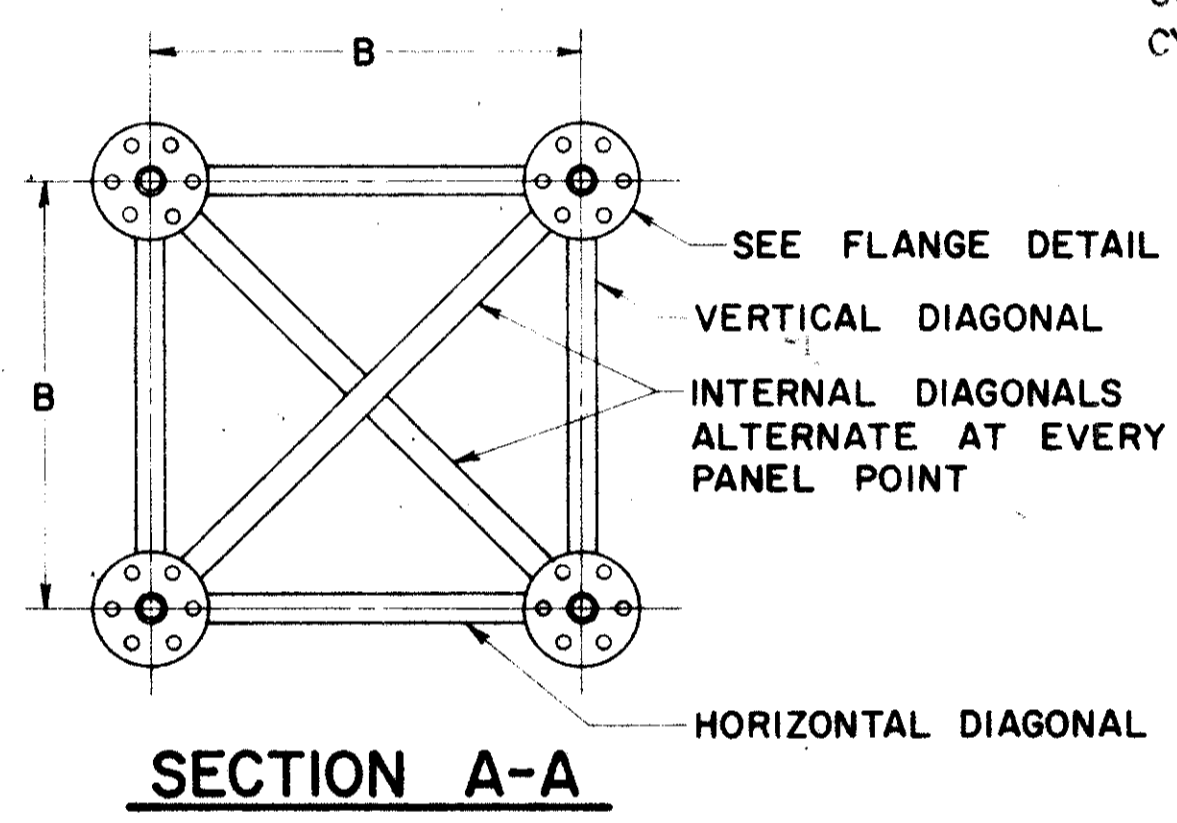
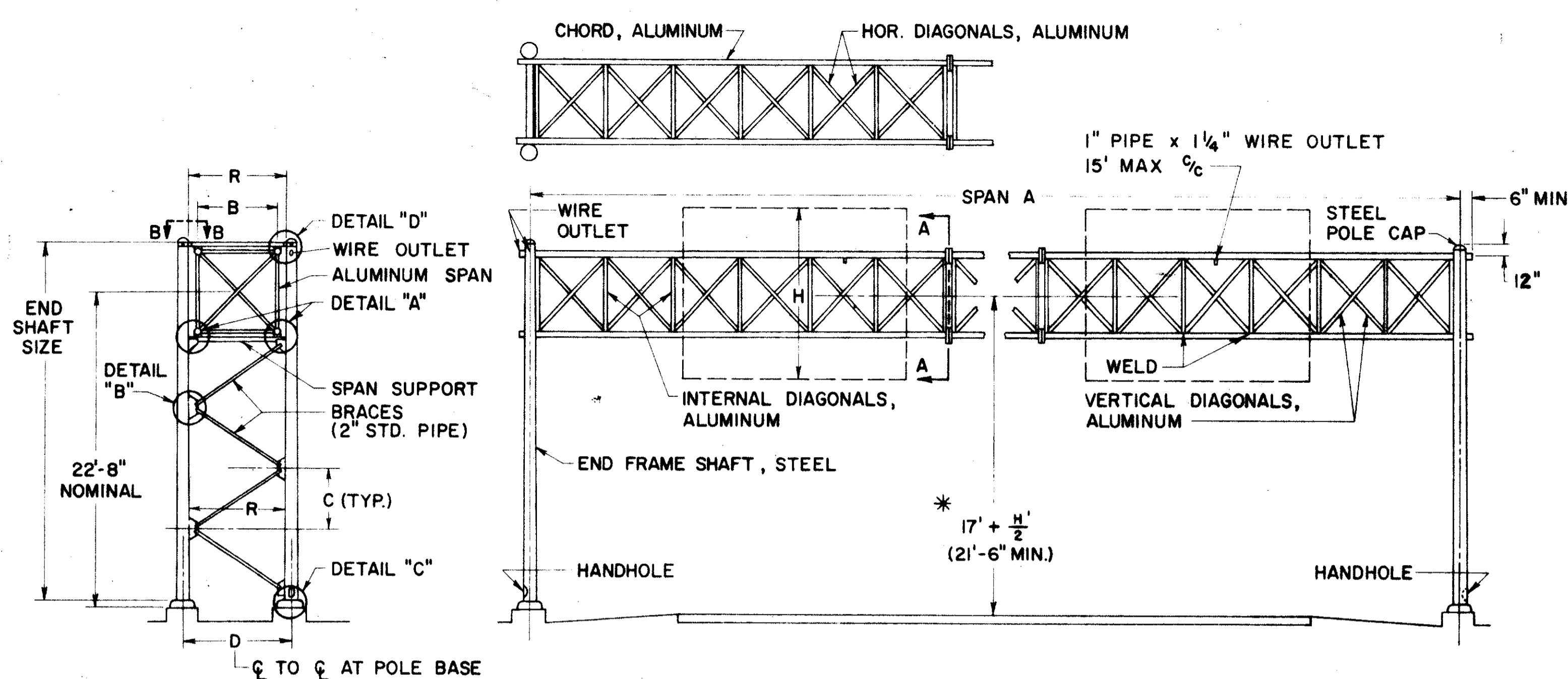
THE DESIGN OF OVERHEAD SUPPORTS IS IN ACCORDANCE WITH A.A.S.H.O. SPECIFICATION FOR THE DESIGN AND CONSTRUCTION OF STRUCTURAL SUPPORTS FOR HIGHWAY SIGNS, ADOPTED JUNE 12, 1961.



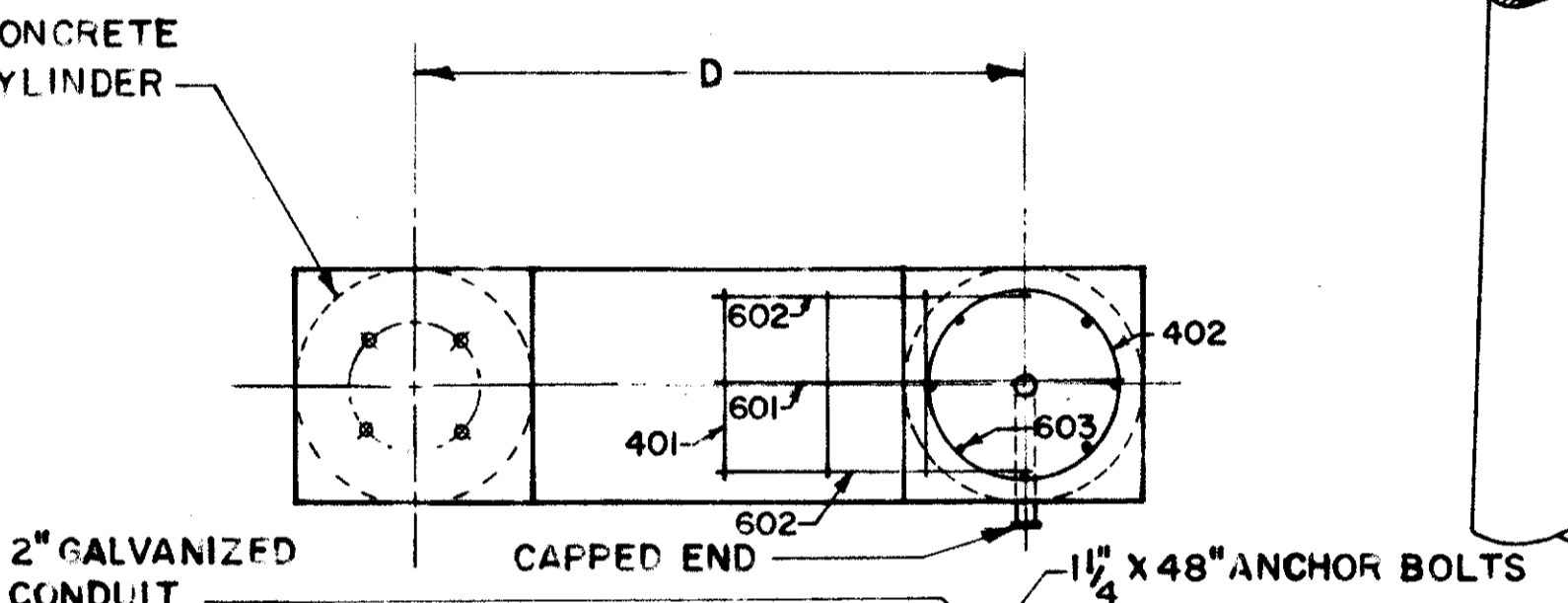
SECTION D-D



SIGN BRACKET

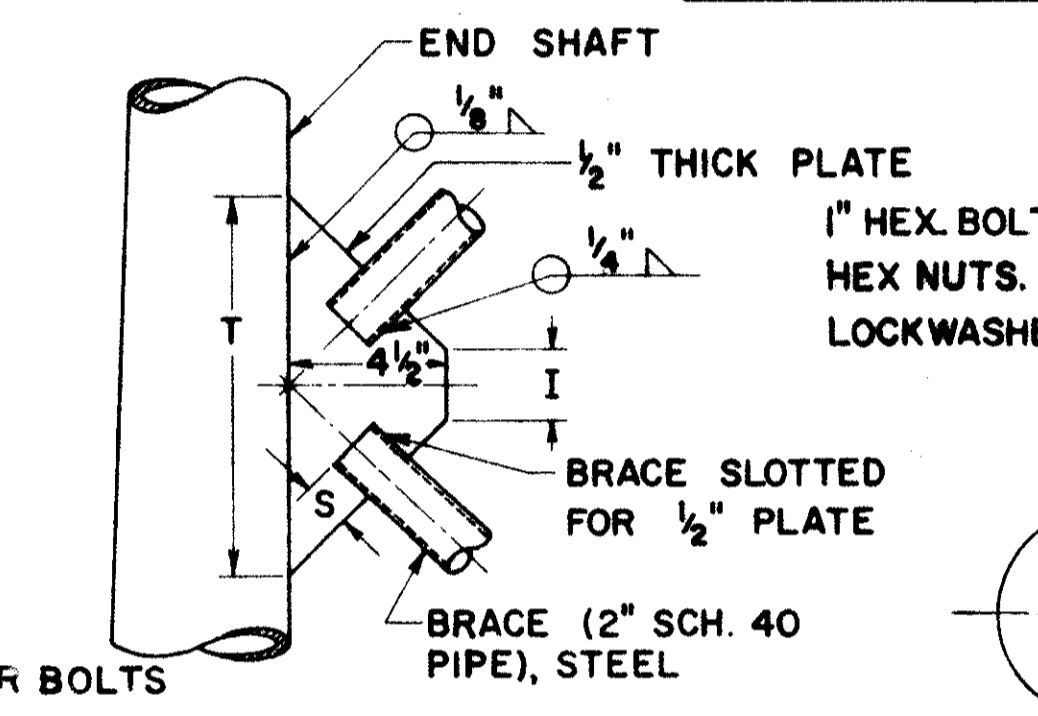


SECTION A-A

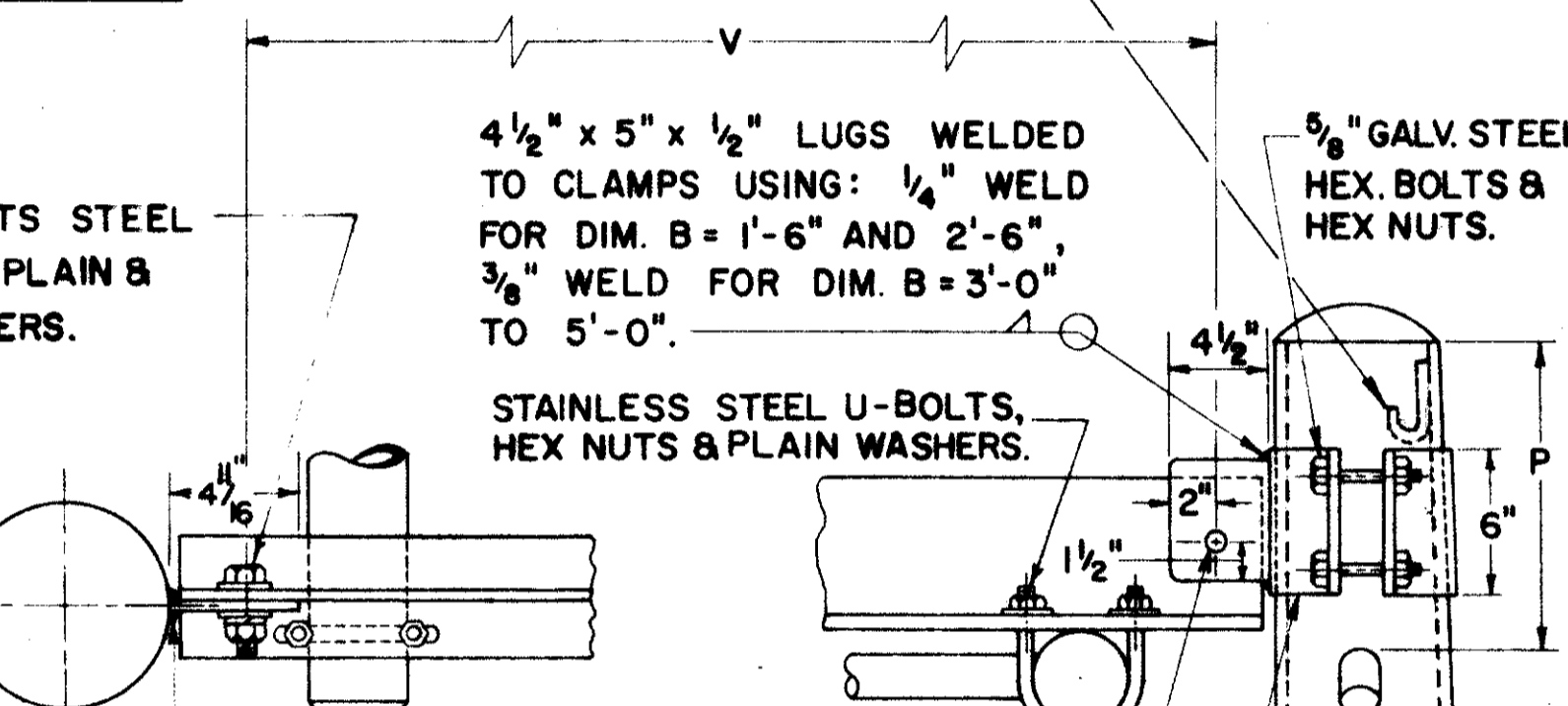


FOUNDATION DETAIL

(RIGHT HAND SHOWN - LEFT HAND OPPOSITE)

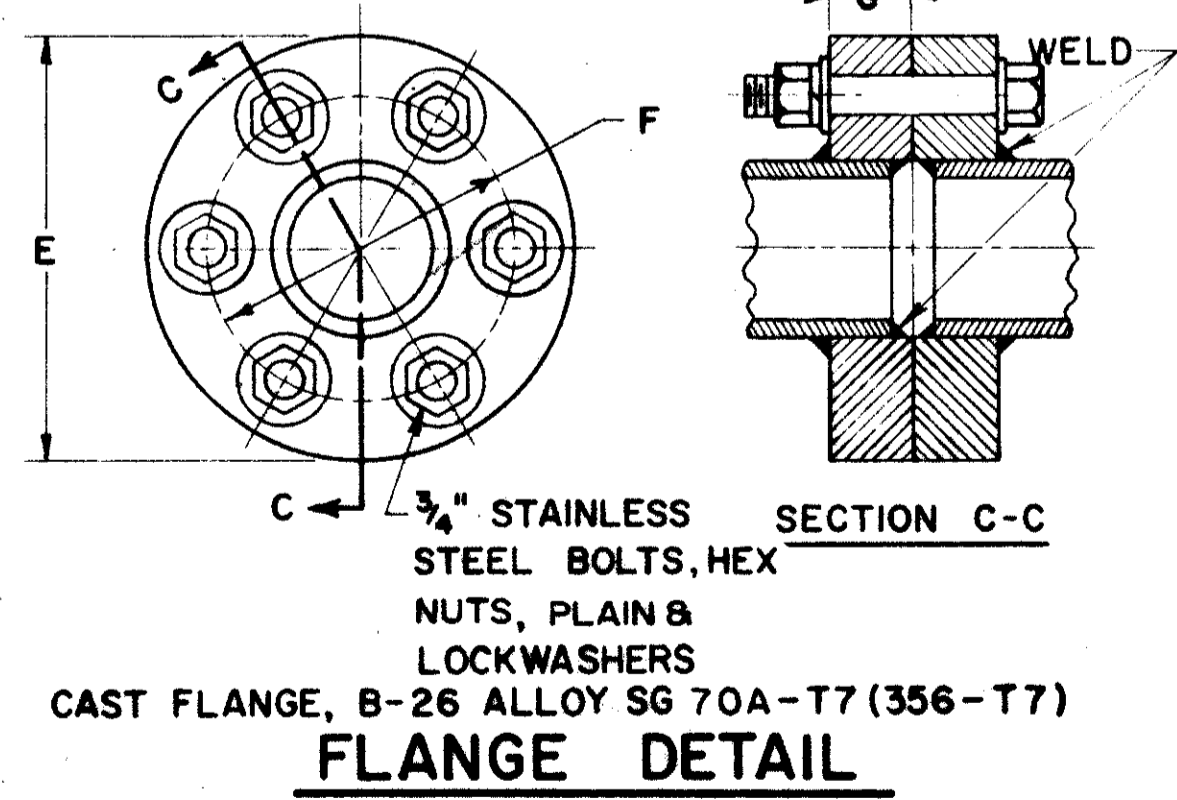


DETAIL "B"

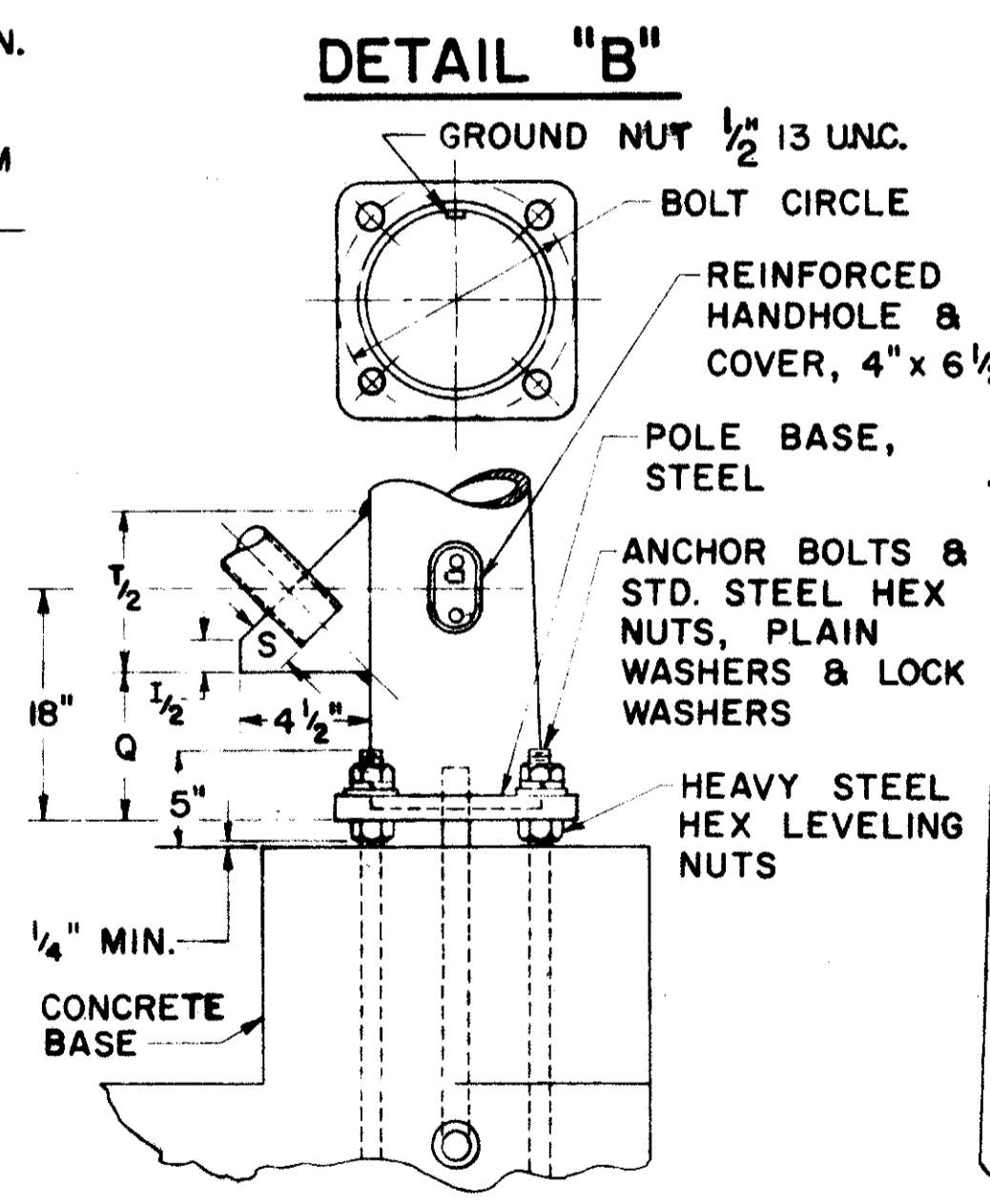


VIEW B-B

UPPER SPAN SUPPORT (ALTERNATE METHODS)

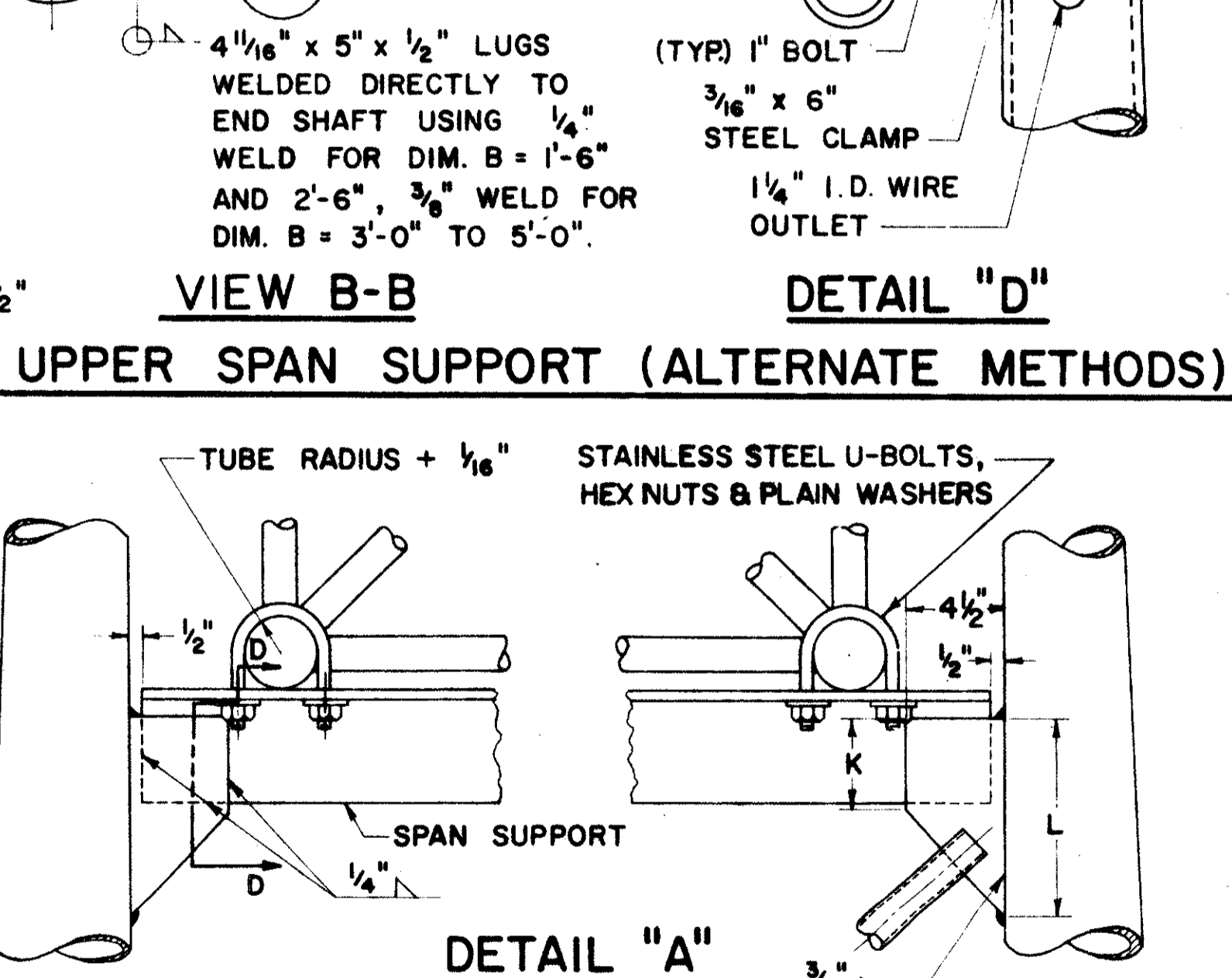


FLANGE DETAIL



DETAIL "C"

POLE BASE DETAIL



DETAIL "A"

LOWER SPAN SUPPORT

DESIGN NO.	SPAN A	B	C	D	E	END SHAFT	BRACE LENGTH	F	G	I	K	L	P	Q	R	S	T	U BOLTS	V	BOLT CIRCLE	SPAN SUPPORT SECTION D-D	CHORDS	HORIZONTAL AND INTERNAL DIAGONAL	VERTICAL DIAGONAL	REINFORCEMENT SCHEDULE			
MARK	NO.	LENGTH	TYPE																									
1	50' THRU 70'	3'-0"	4'-1 3/4"	4'-5"	9 1/4"	8" X 4.5" X 25'-0", 3GA	5'-10 3/16"	7 7/16"	1 3/8"	3 1/2"	4 3/4"	8"	12"	6 5/8"	3'-9"	1 1/2"	10"	5 5/8"	3'-3 5/8"	11"	SPLIT TEE 3'-8"	4 3/4" X .188"	1.900" X .145"	1.660" X .140"	401	101	102	103
2	71' THRU 80'	4'-0"	4'-10 1/4"	5'-7"	9 1/4"	8" X 6.22" X 25'-6", 3GA	6'-7 1/8"	7 7/16"	1 3/8"	5 5/8"	4 3/8"	7 3/4"	12"	6 1/4"	4'-11"	1 1/2"	9 1/2"	5 5/8"	4'-5 5/8"	11"	SPLIT TEE 4'-10"	4 3/4" X .188"	2" X .188"	1.900" X .145"	601	101	102	103
3	81' THRU 86'	4'-0"	4'-10 1/4"	5'-7"	11"	8" X 6.22" X 25'-6", 3GA	6'-7 1/8"	8 1/2"	1 1/2"	5 5/8"	4 3/8"	7 3/4"	12"	6 1/4"	4'-11"	1 1/2"	9 1/2"	5 5/8"	4'-5 5/8"	11"	SPLIT TEE 4'-10"	5 1/2" X .250"	2" X .188"	1.900" X .145"	602	101	102	103
4	86' THRU 110'	5'-0"	4'-8 1/2"	6'-7"	11"	8" X 6.16" X 26'-0", 3GA	7'-3 1/4"	8 1/2"	1 1/2"	-	3 1/2"	7 3/4"	12"	7 1/4"	5'-11"	1 3/4"	11 1/4"	3 3/4"	5'-5 5/8"	11"	SPLIT TEE 5'-10"	5 1/2" X .250"	2 1/2" X .188"	2 1/2" X .188"	603	32	D _T -6"	STR.

BUREAU OF TRAFFIC
OHIO DEPARTMENT OF HIGHWAYS

OVERHEAD SIGN SUPPORTS No. 7.5

DATE: 5-2-62, 7-25-62, 4-29-64

APPROVED: *Robert E. Conner*
ENGINEER OF TRAFFIC