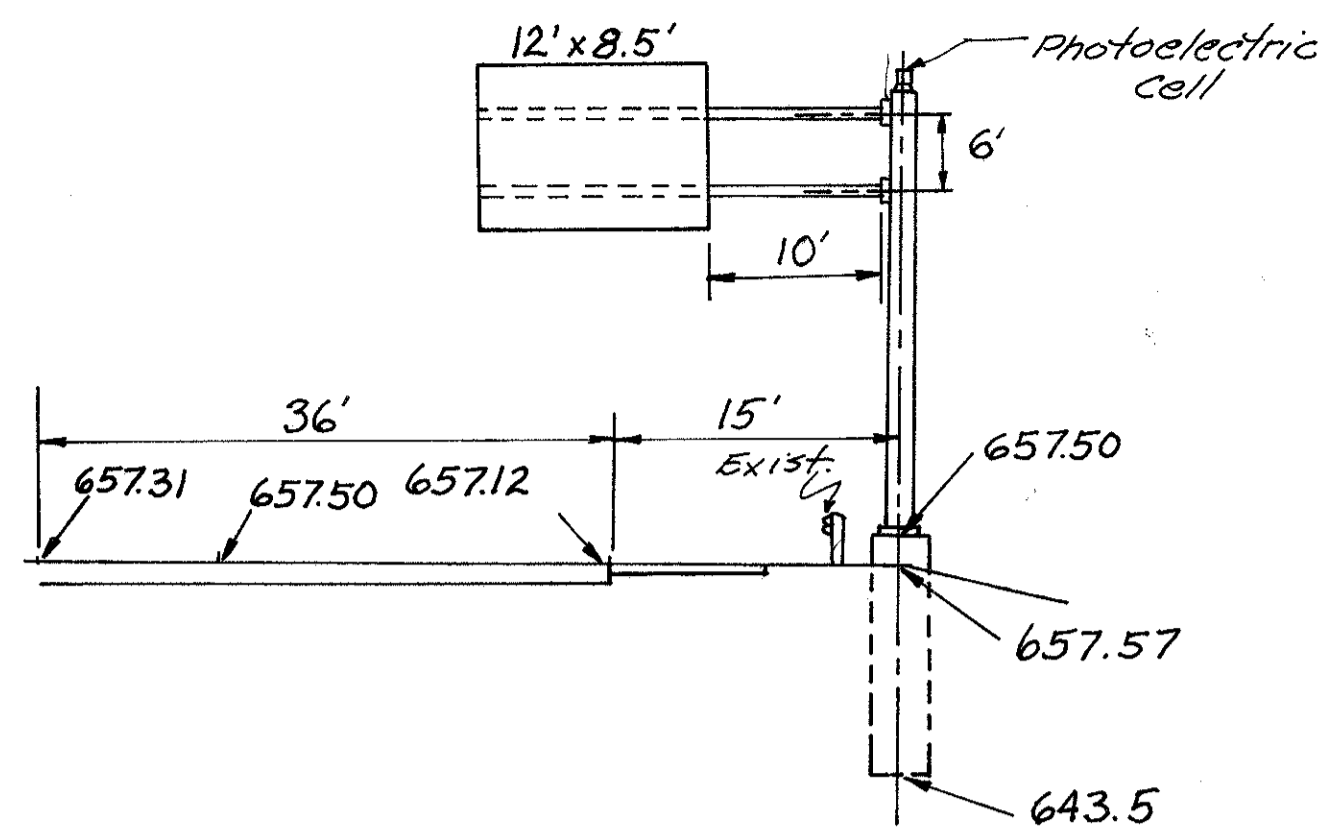


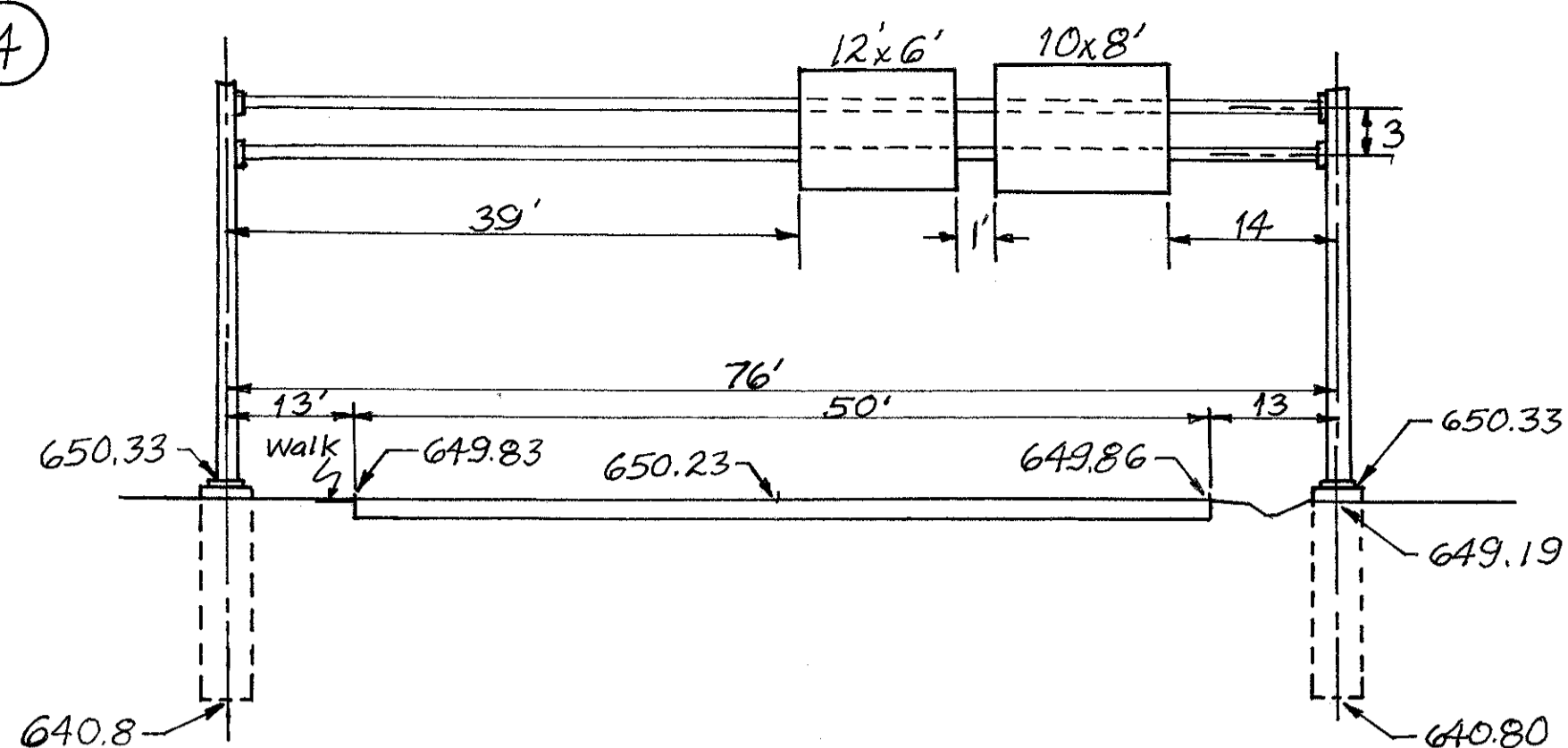
1



STA. 111+00 E.B.
816 12.24 DESIGN #5 22' ARMS

SIGN 12' x 8.5'
BRKT. SPACING - 6" 66" 66" 6"
No. OF BRKTS - 3, TYPE - Ys, HT. - 8.5'

4



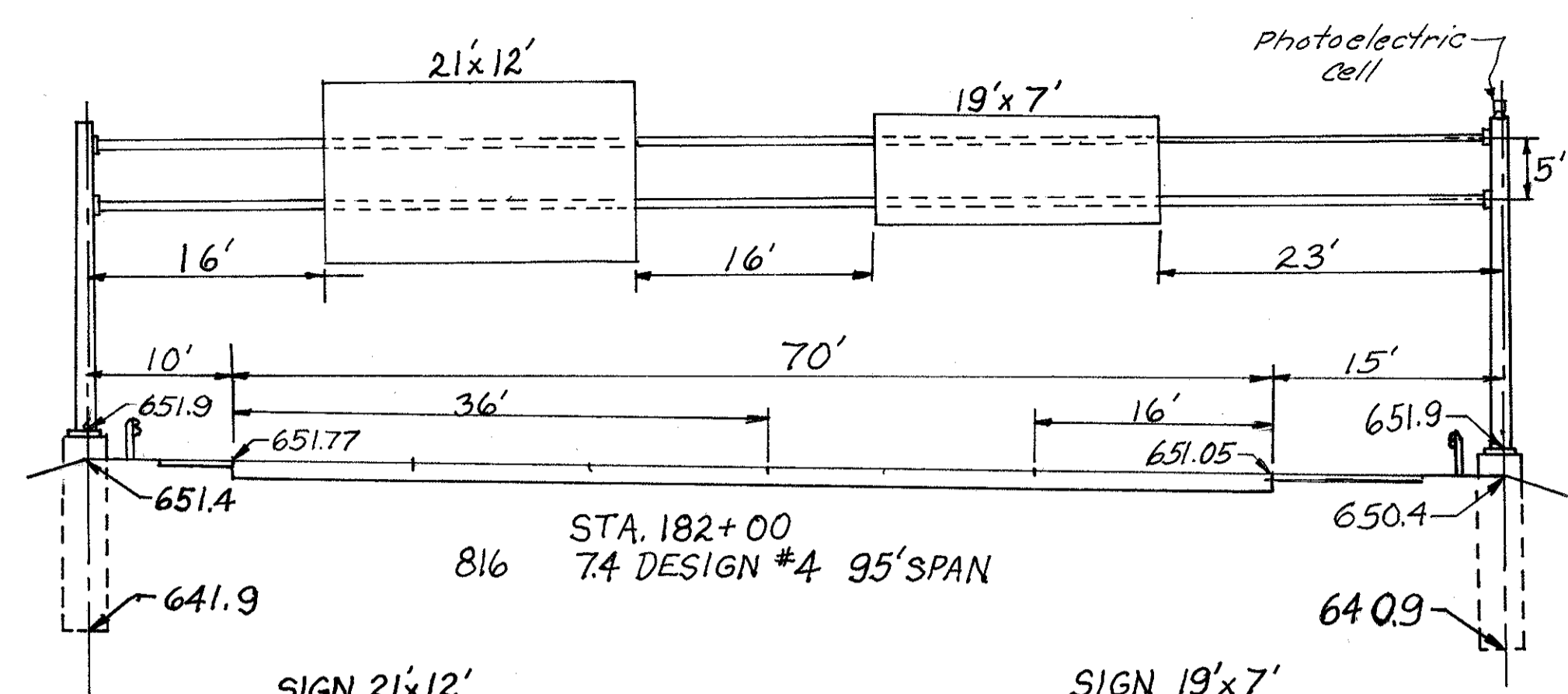
STA. 26+50 LAKELAND BLVD. E.B.
816 7.3 DESIGN #2 76' SPAN

SIGN 12' x 6'
BRKT. SPACING - 6" 33" 33" 33" 6"
No. OF BRKTS. 5, TYPE Xa HT. - 6.0'

SIGN 10' x 8'
BRKT. SPACING - 10" 3/8" - 50" 49" 3/8" - 10" 1/4"
No. OF BRKTS. 3, TYPE Xa HT. - 8'

8

FED. RD. DIVISION	STATE	PROJECT	60 141
2	OHIO		

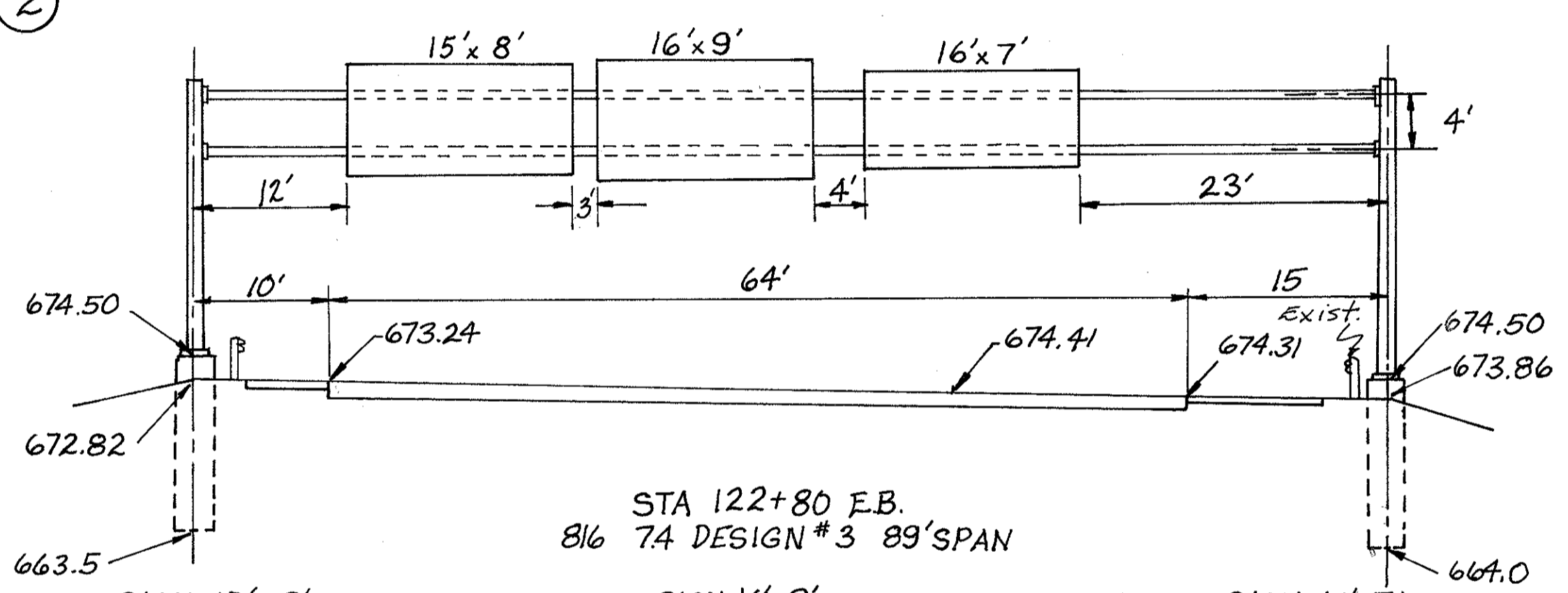


STA. 182+00
816 7.4 DESIGN #4 95' SPAN

SIGN 21' x 12'
BRKT. SPACING - 13" 75" 3/8" - 75" 3/8" - 75" 3/8" - 12" 7/8"
No. OF BRKTS - 4, TYPE Ya, HT. - 12'

SIGN 19' x 7'
BRKT. SPACING - 14" 5/8" - 99" 3/8" - 99" 3/8" - 14" 5/8"
No. OF BRKTS - 3, TYPE Xa, HT. - 7'

2



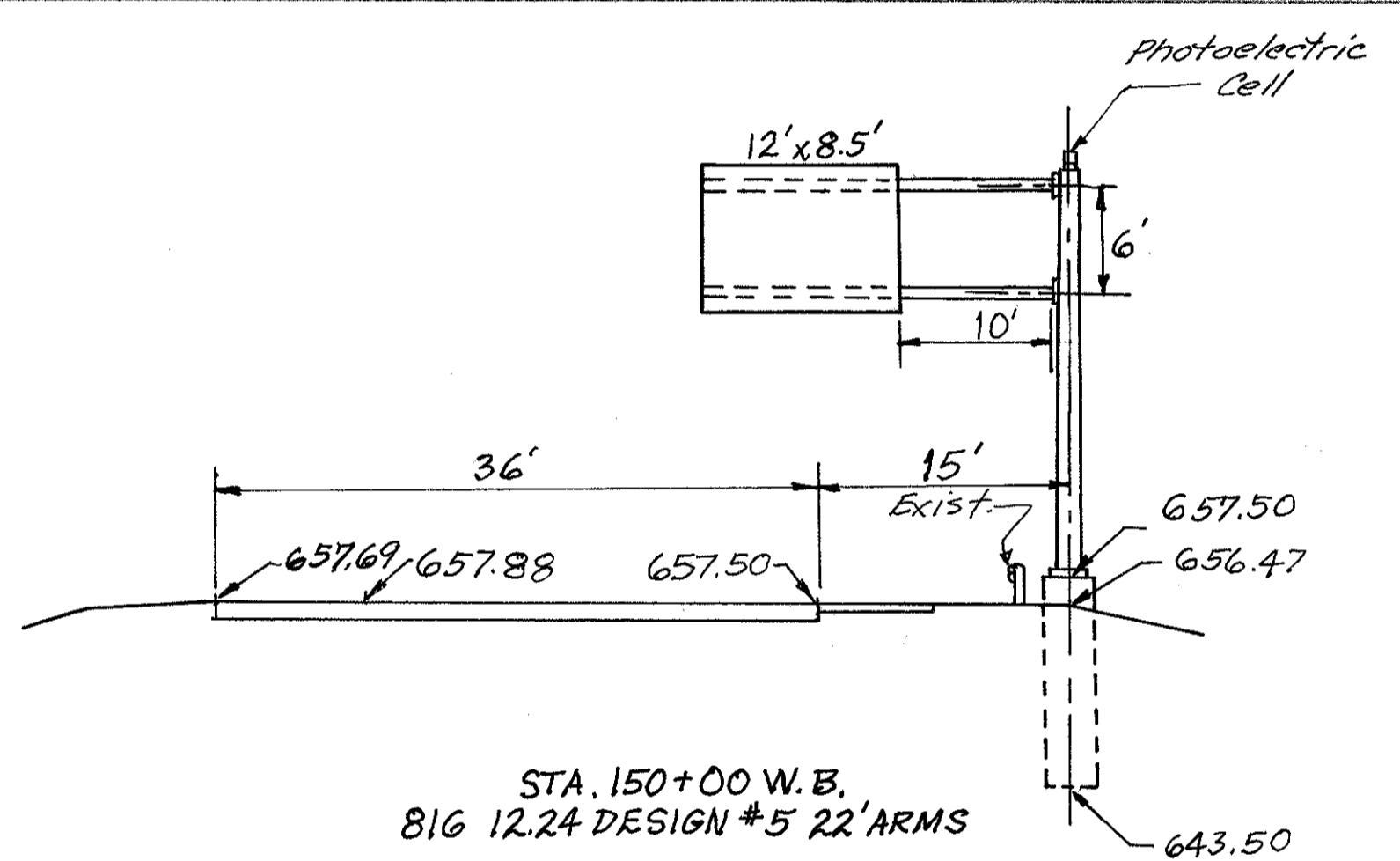
STA. 122+80 E.B.
816 7.4 DESIGN #3 89' SPAN

SIGN 15' x 8'
BRKT. SPACING - 14" 5/8" - 75" 3/8" - 75" 3/8" - 14" 5/8"
No. OF BRKTS - 3, TYPE Xa, HT. - 8'

SIGN 16' x 9'
BRKT. SPACING - 8" 5/8" - 75" 3/8" - 50" 49" 3/8" - 8" 5/8"
No. OF BRKTS. 4, TYPE Ya, HT. - 9'

SIGN 16' x 7'
BRKT. SPACING - 8" 5/8" - 75" 3/8" - 49" 3/8" - 8" 5/8"
No. OF BRKTS - 3 TYPE Ya HT. - 7'

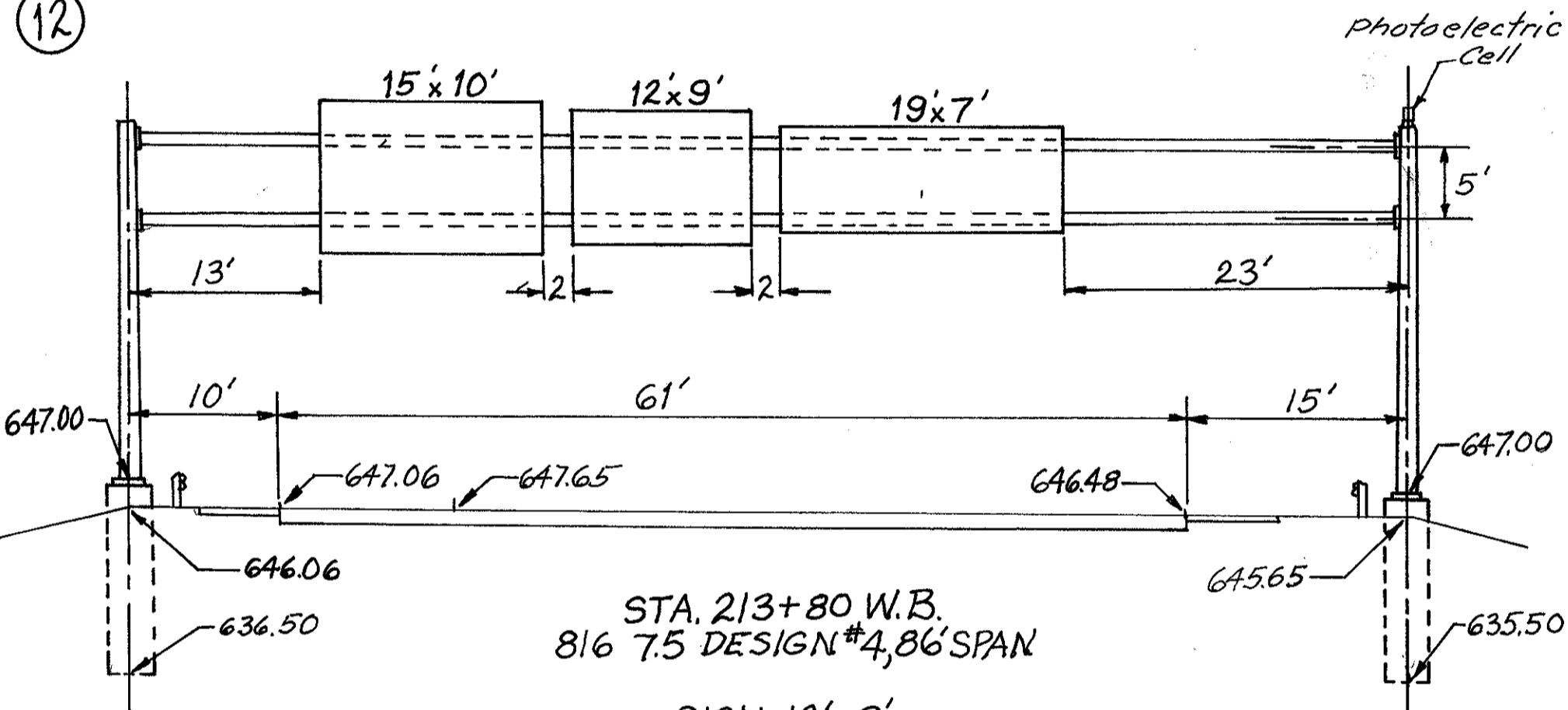
6



STA. 150+00 W.B.
816 12.24 DESIGN #5 22' ARMS

SIGN 12' x 8.5'
BRKT. SPACING - 6" 66" 66" 6"
No. OF BRKTS - 3 TYPE - Ys, HT. - 8.5'

12



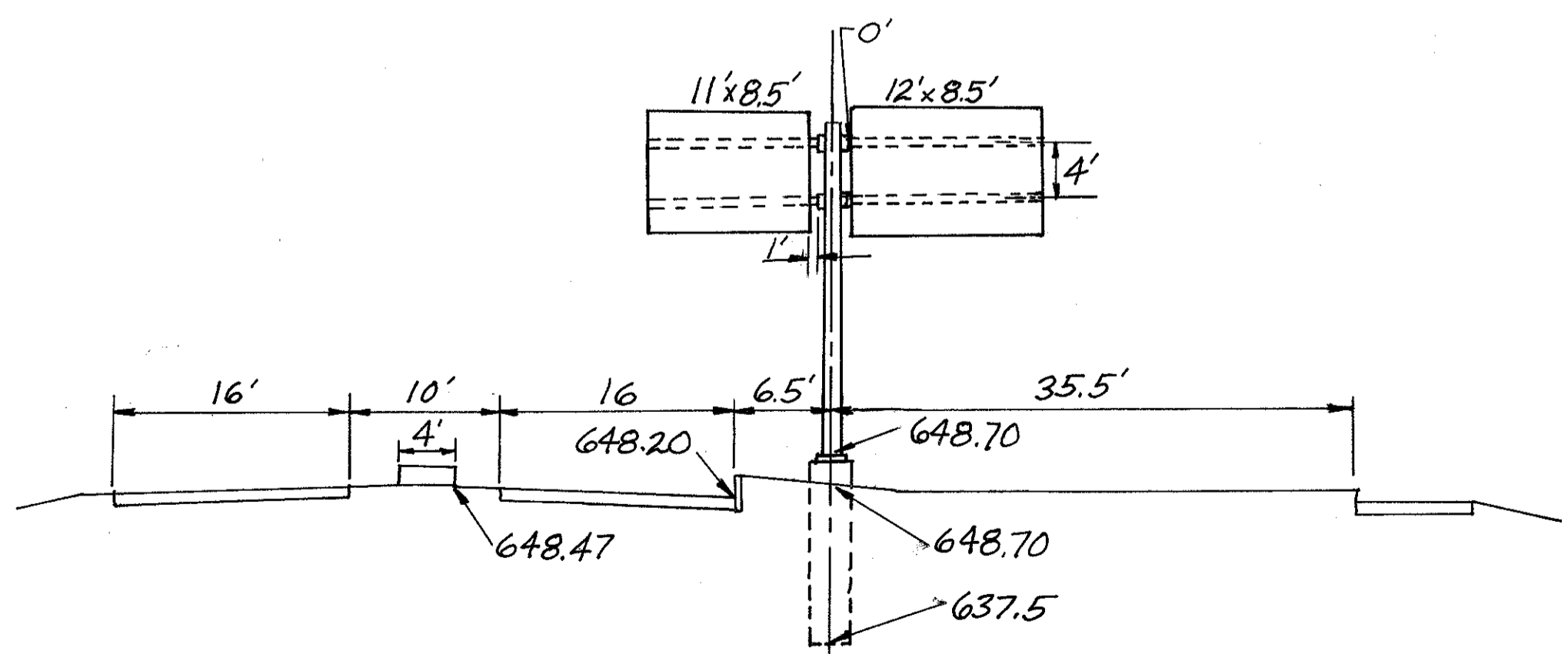
STA. 213+80 W.B.
816 7.5 DESIGN #4 86' SPAN

SIGN 15' x 10'
BRKT. SPACING - 14" 5/8" - 75" 3/8" - 75" 3/8" - 14" 5/8"
No. OF BRKTS - 3, TYPE - Ya, HT. - 10'

SIGN 12' x 9'
BRKT. SPACING - 6" 66" 66" 6"
No. OF BRKTS - 3, TYPE - Ya, HT. - 9'

SIGN 19' x 7'
BRKT. SPACING - 14" 5/8" - 99" 3/8" - 99" 3/8" - 14" 5/8"
No. OF BRKTS - 3 TYPE Xa, HT. - 7'

5

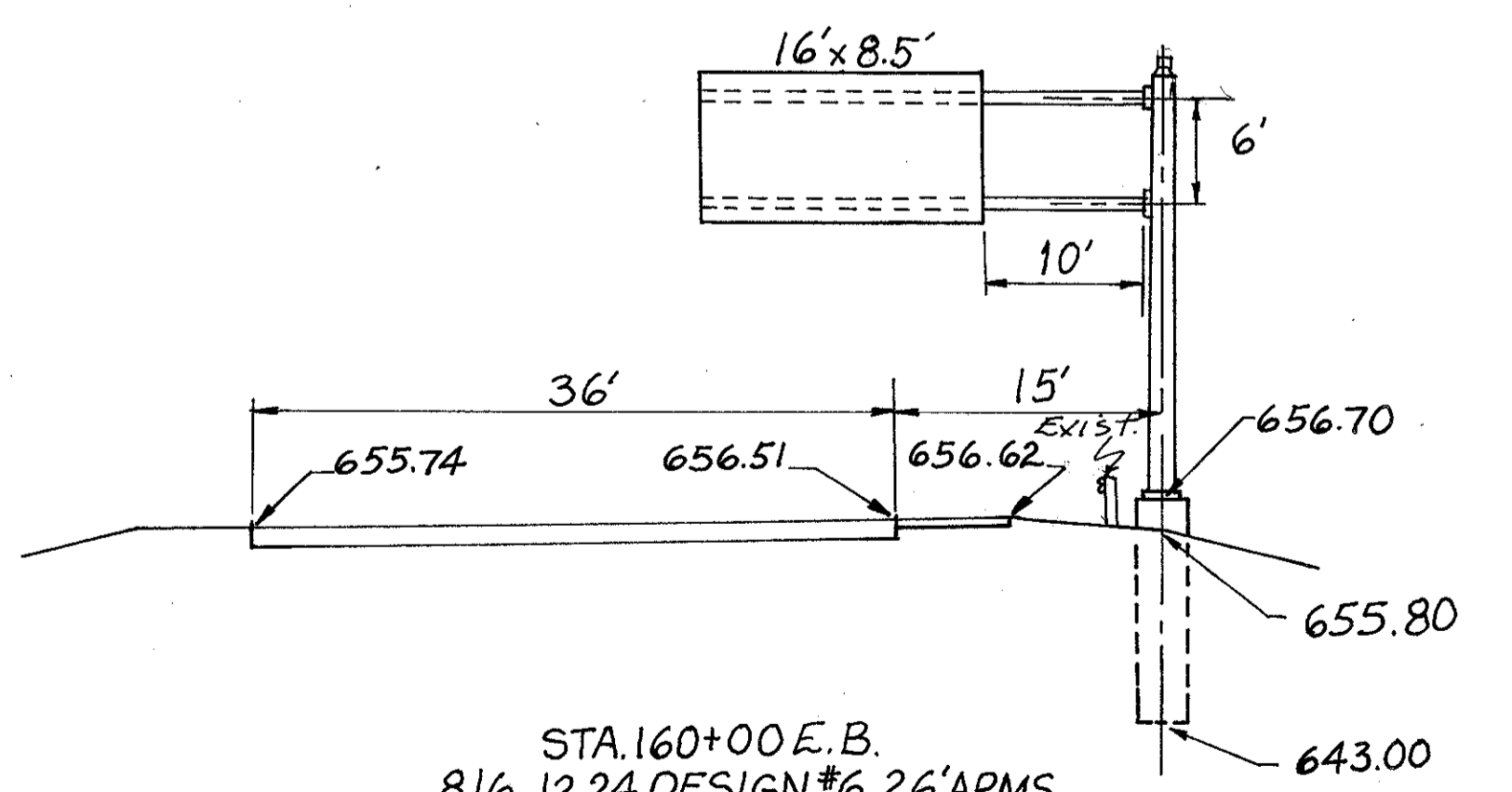


STA. 3+90 LLOYD RD. CONNECTION
816 10.48 DESIGN #3 12' 1/2' ARMS

SIGN 11' x 8.5'
BRKT. SPACING - 16" 3/8" - 50" 49" 3/8" - 16" 3/8"
No. OF BRKTS - 3, TYPE - Ys HT. - 8.5'

SIGN 12' x 8.5'
BRKT. SPACING - 6" 66" 66" 6"
No. OF BRKTS - 3, TYPE - Ys HT. - 8.5'

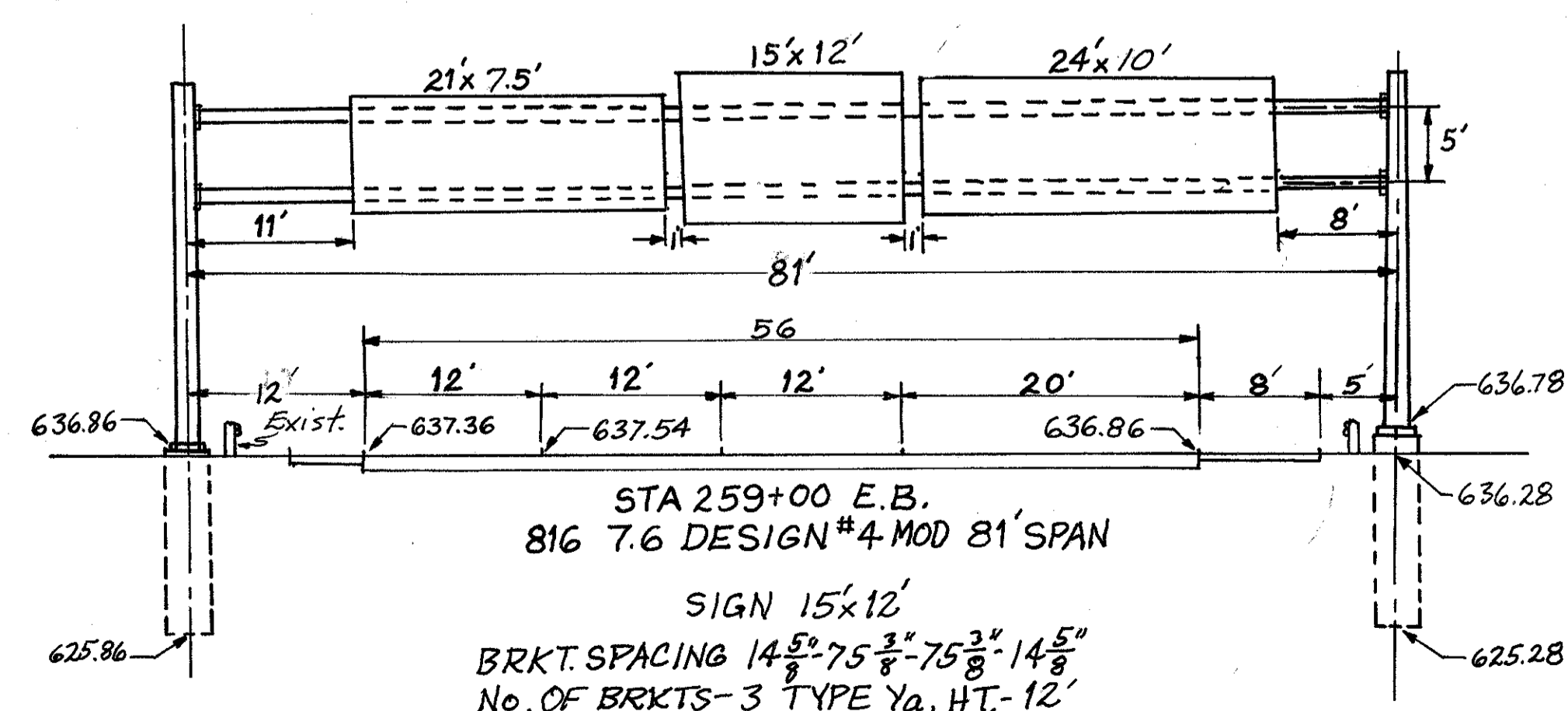
7



STA. 160+00 E.B.
816 12.24 DESIGN #6 26' ARMS

SIGN 16' x 8.5'
BRKT. SPACING - 8" 5/8" - 75" 3/8" - 99" 3/8" - 8" 5/8"
No. OF BRKTS - 3, TYPE - Ys, HT. - 8.5'

15



STA. 259+00 E.B.
816 7.6 DESIGN #4 MOD 81' SPAN

SIGN 21' x 7.5'
BRKT. SPACING - 13" 75" 3/8" - 75" 3/8" - 75" 3/8" - 12" 7/8"
No. OF BRKTS - 4, TYPE Xa, HT. 7.5'

SIGN 15' x 12'
BRKT. SPACING - 14" 5/8" - 75" 3/8" - 75" 3/8" - 14" 5/8"
No. OF BRKTS - 3, TYPE Ya, HT. - 12'

SIGN 24' x 10'
BRKT. SPACING - 7" 75" 3/8" - 50" 49" 3/8" - 6" 3/8"
No. OF BRKTS - 4, TYPE Ya, HT. 10'