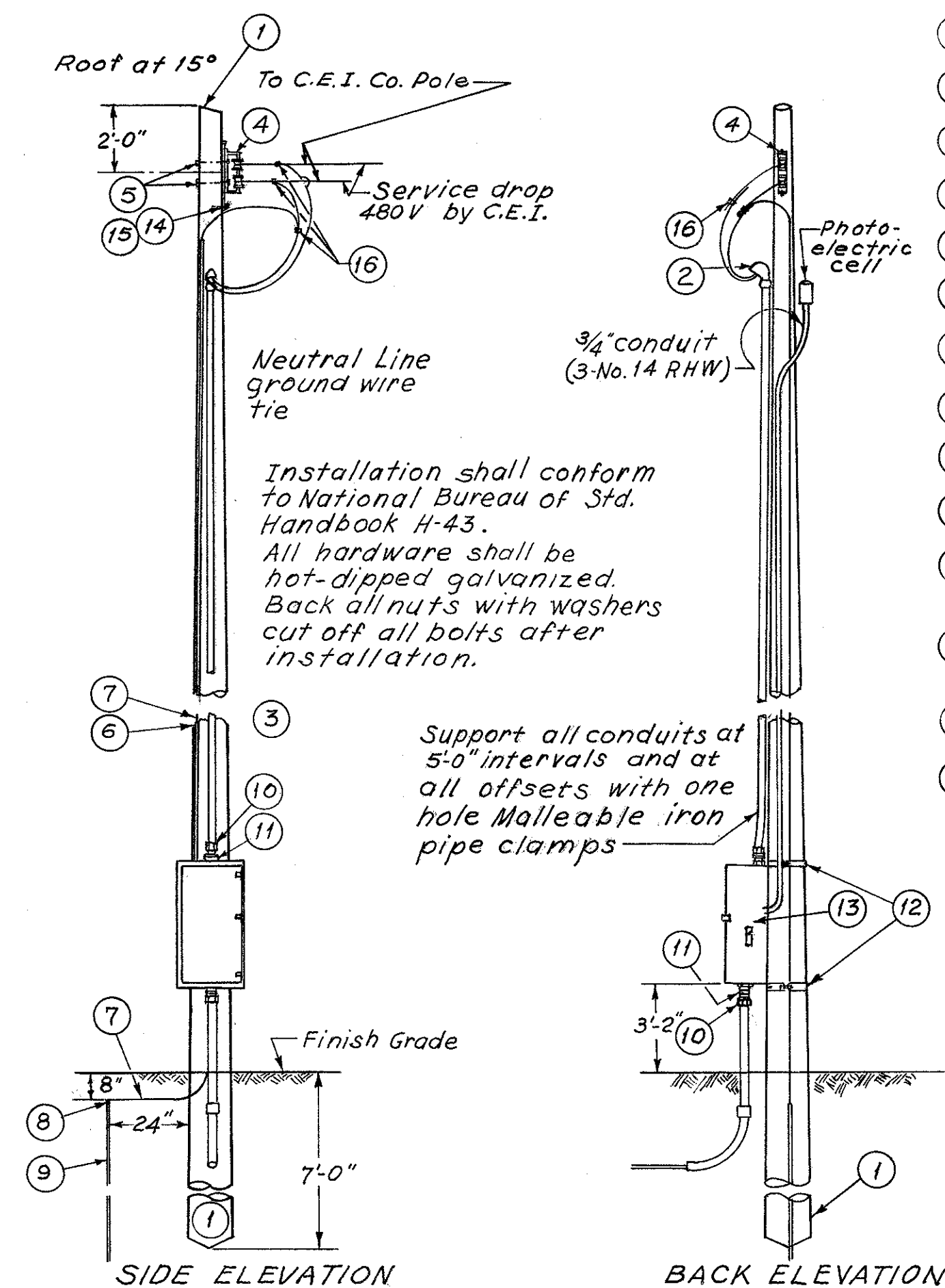
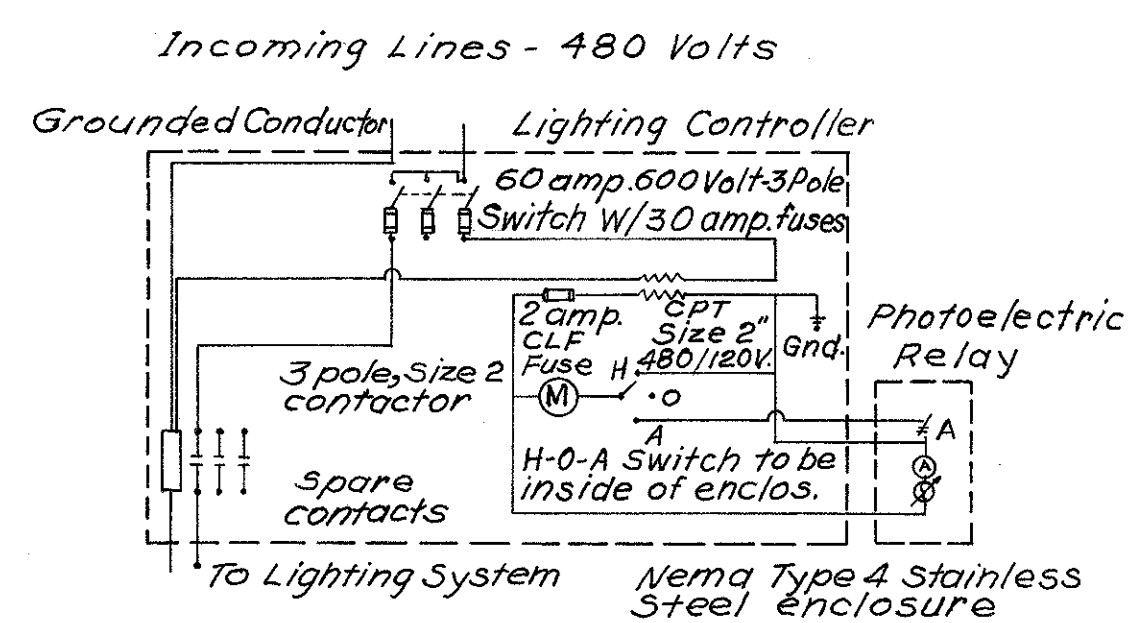


MATERIAL LIST
TO BE FURNISHED BY CONTRACTOR

- ① Wood pole, 30ft Class 5, western red cedar fully treated pentachlorophenol conforming to ASA Spec 05.1-1948
- ② Service entrance weatherhead - 2"
- ③ Rigid steel conduit 2" w/2-No.1-USE, RHW
- ④ Insulated secondary rack - Joslyn No. J-1267
- ⑤ carriage bolt 5/8" ϕ x req'd. length
- ⑥ Half round fir wood moulding, fasten w/copperweld staples
- ⑦ Ground wire A.W.G. No.4 solid
- ⑧ Exothermic weld
- ⑨ Ground rod, 1"x10'-0" solid wrought iron
- ⑩ conduit union, male - size as required
- ⑪ Conduit hub welded on cabinet - size as required
- ⑫ Pole band for service equip. cabinet - Ref. detail this sheet
- ⑬ Service equipment enclosure - Ref. wiring diagram for description and contents
- ⑭ 3" curved washer - Malleable Iron Fittings No. P-143 AX or equal
- ⑮ Machine bolt - 5/8" x required length
- ⑯ Solderless connector, squeeze or compression type - size as required



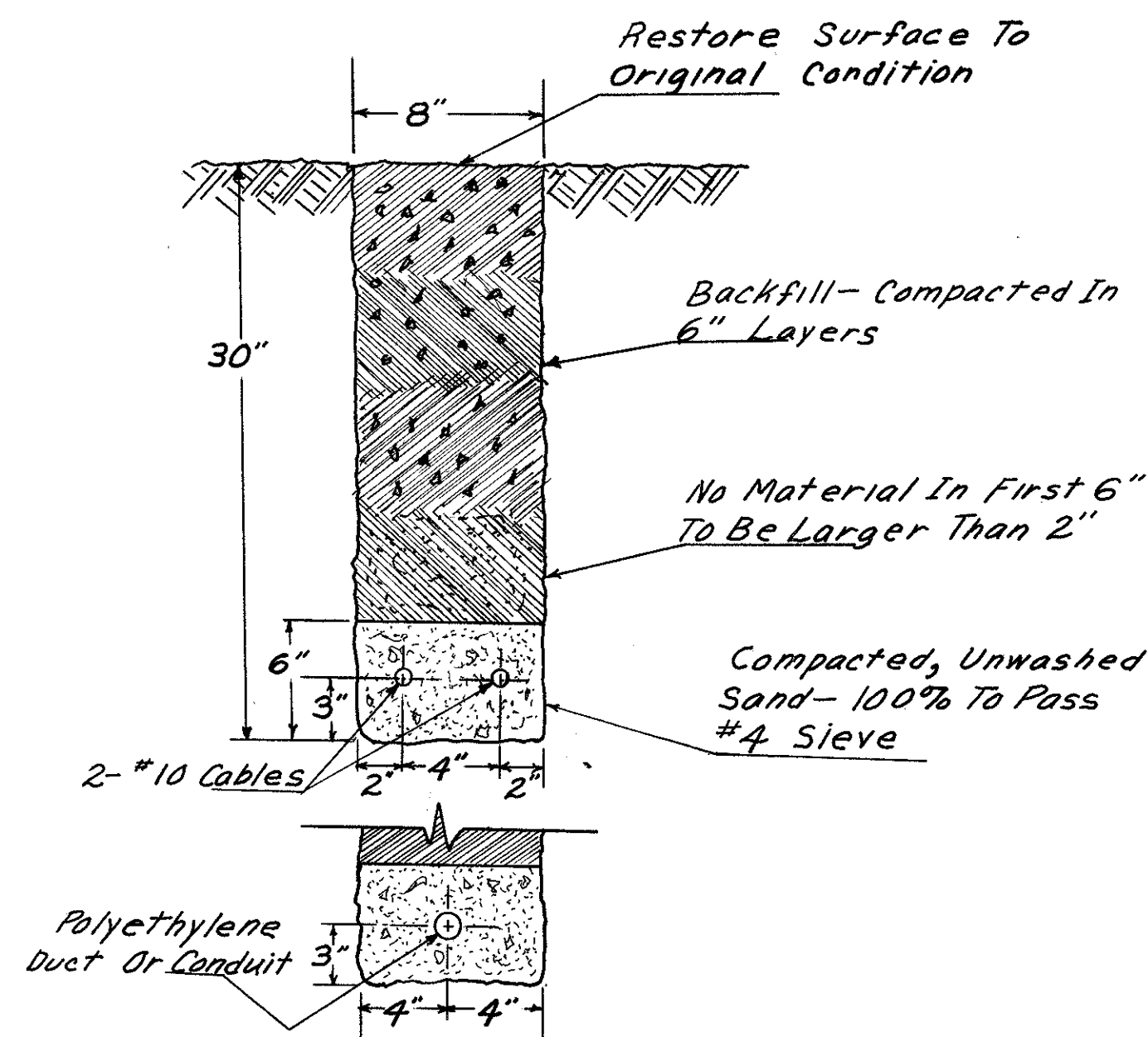
SERVICE POLE



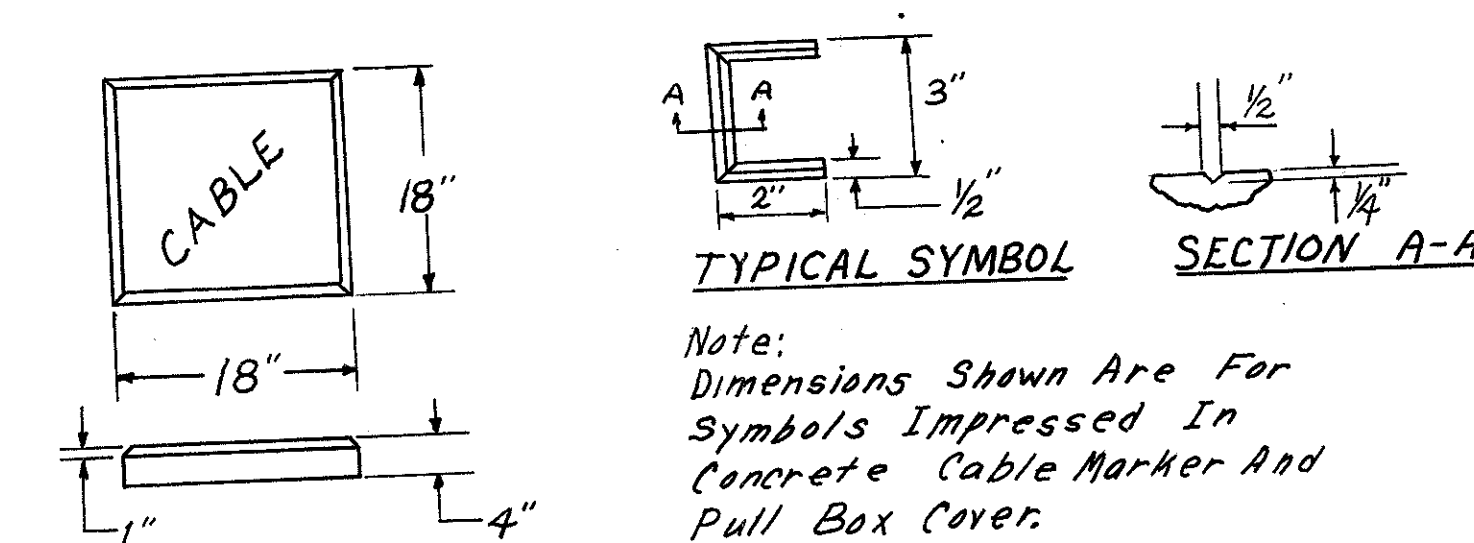
Notes: 1. Light control to be a combination fused disconnect and lighting contactor manufactured by Square "D" Catalog No. W 999 FA 231 or an approved equal by General Electric or Columbus Electrical Works (Cap. 60 amps).
2. Control Structure to be in accordance with the National Electric Safety Code for class "B" construction.

WIRING DIAGRAM

TYPE A SERVICE

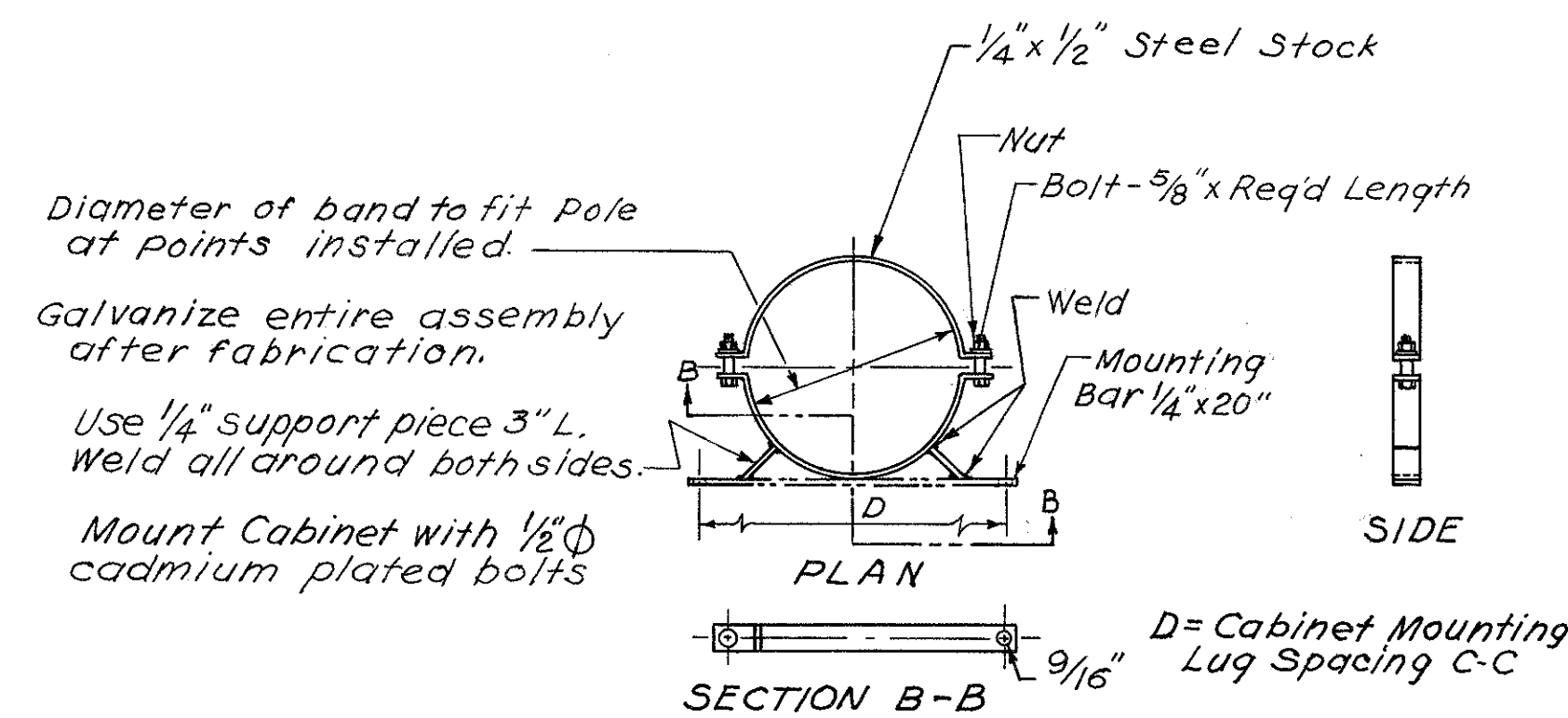


CABLE TRENCH DETAIL

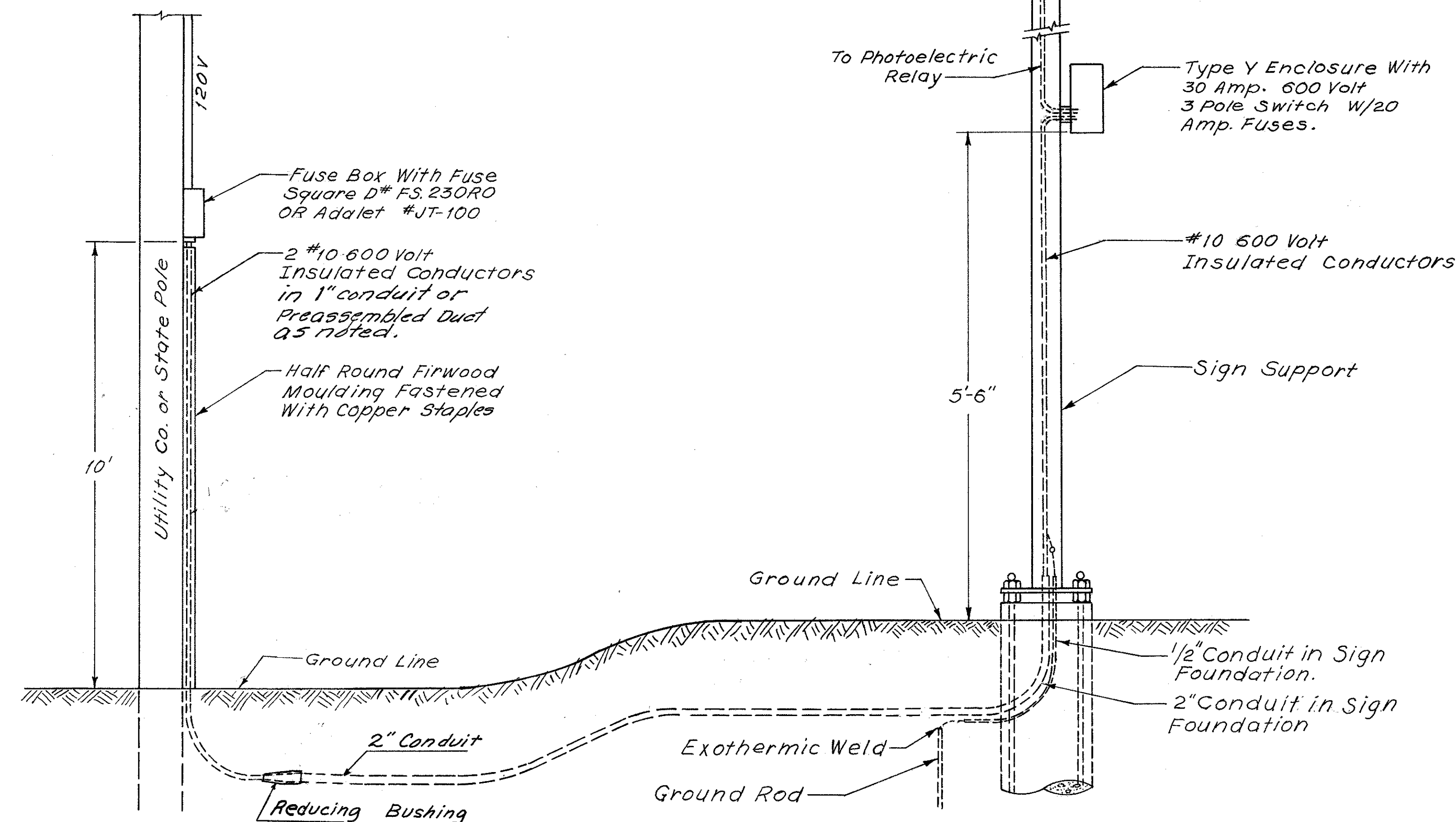


CABLE MARKER DETAILS

Note: Dimensions shown are for symbols impressed in concrete cable marker and pull box cover.



POLE BAND DETAIL



TYPE B SERVICE

SIGN SUPPORT USING TYPE B SERVICE