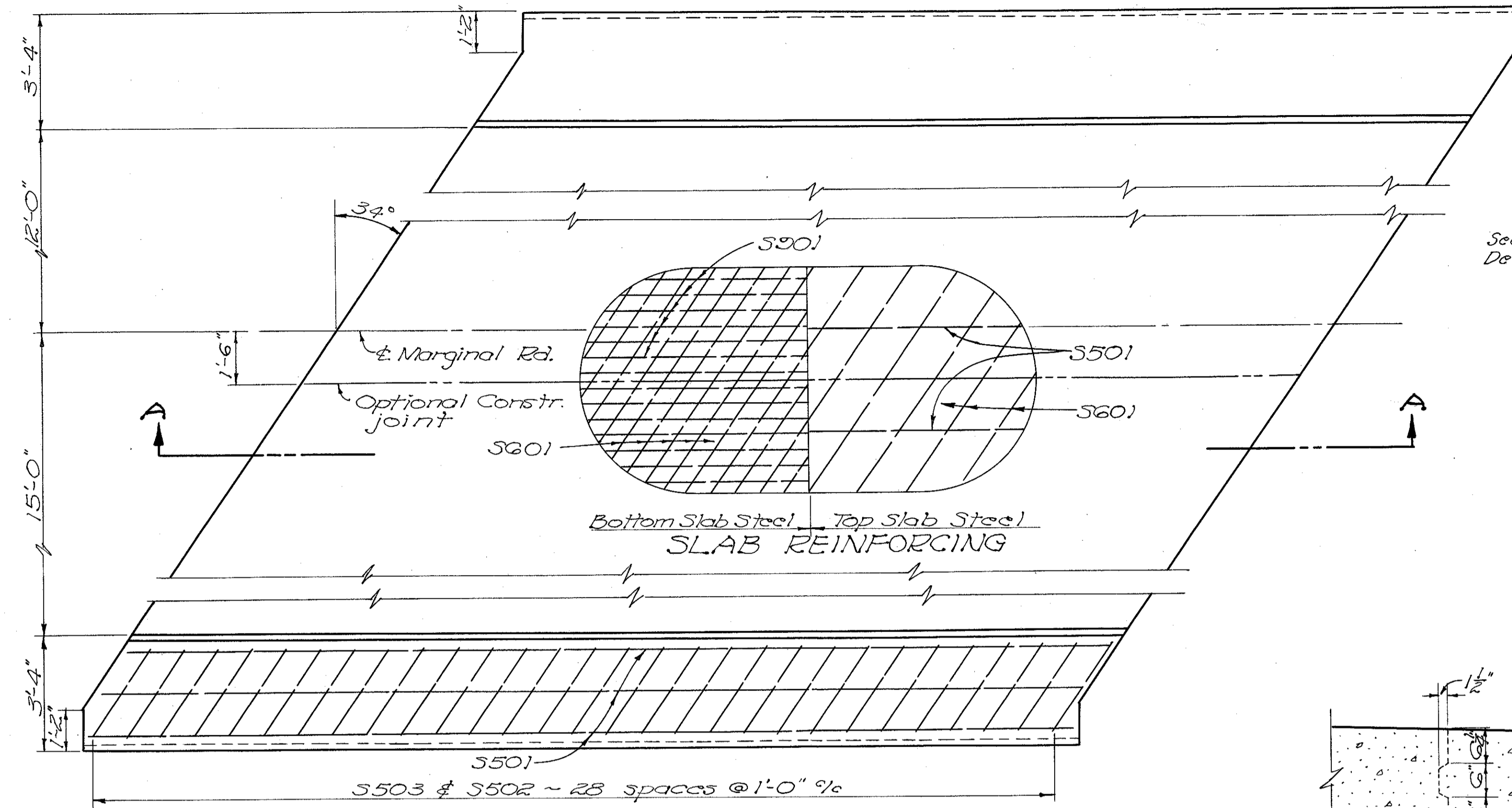
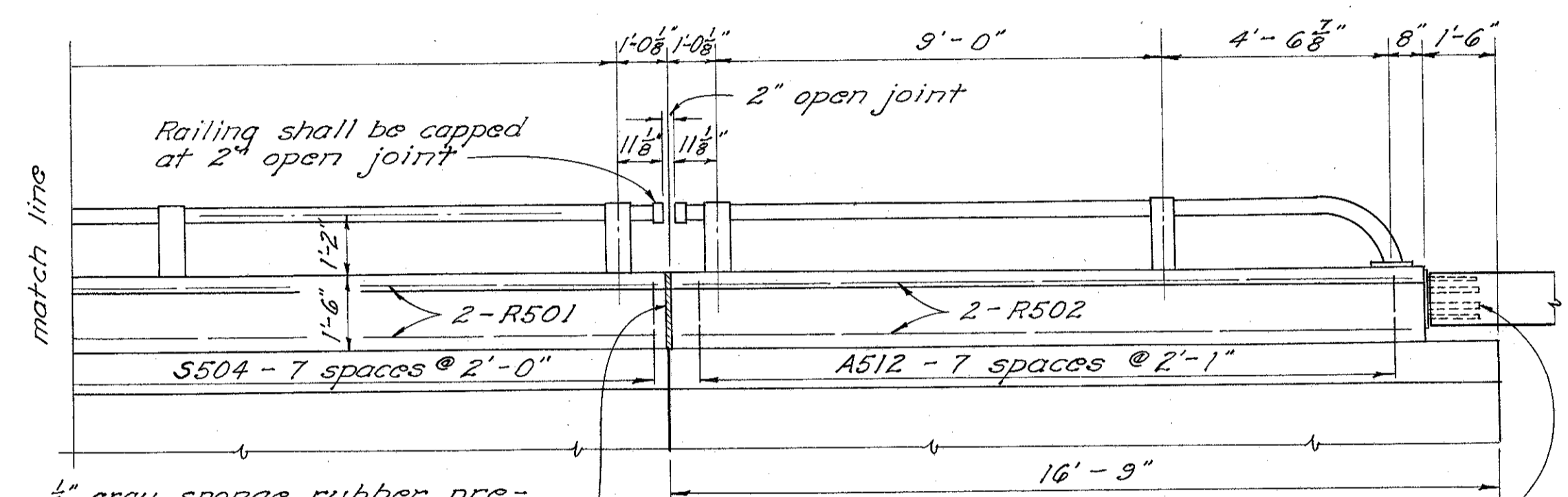
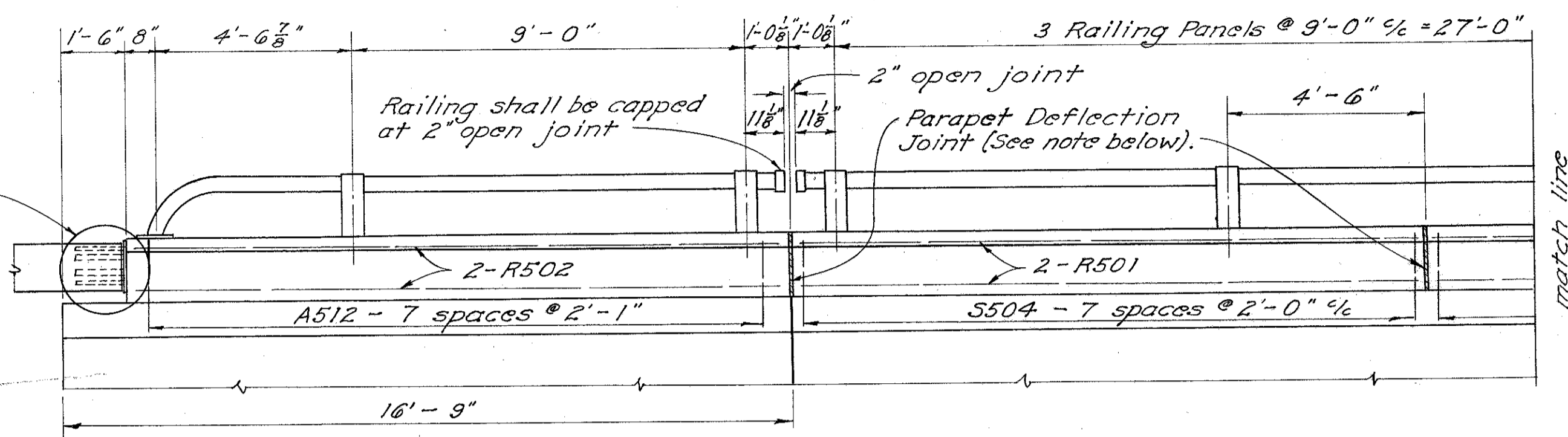


LAK-2-0.00



SLAB CONSTRUCTION JOINT

See Common Detail Sheet 393 A.

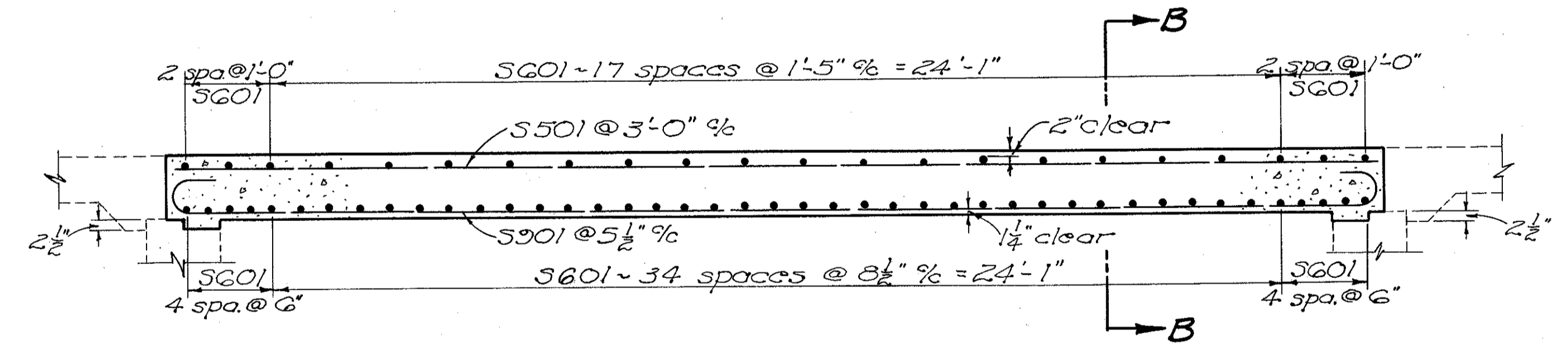


1/4" gray sponge rubber pre-formed expansion joint filler meeting the requirements of Section M-10.02, Type I, space as shown. (Included with railing for payment).

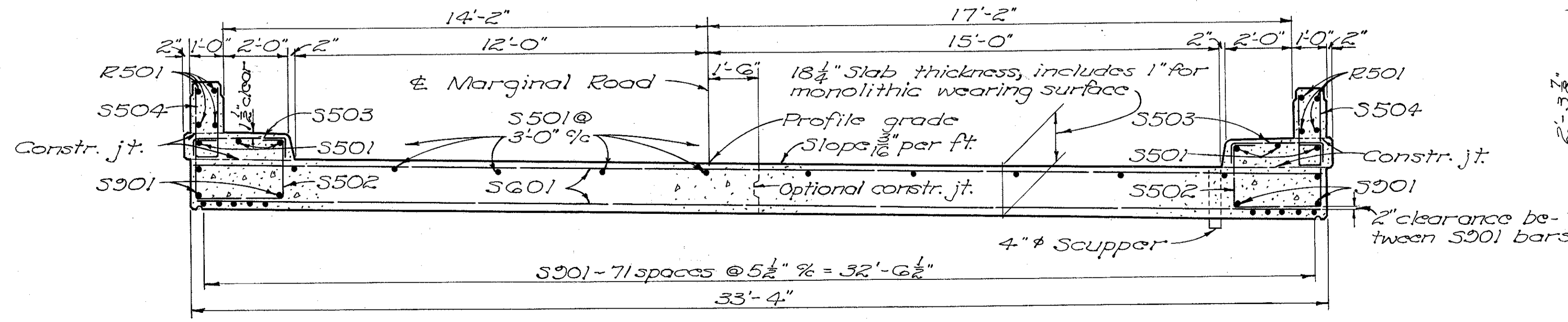
Guard rail end connection assembly shall be included with Item S-14, "Railing" for payment. See Sheet 393 A.

ELEVATION OF RAILING AND PARAPET

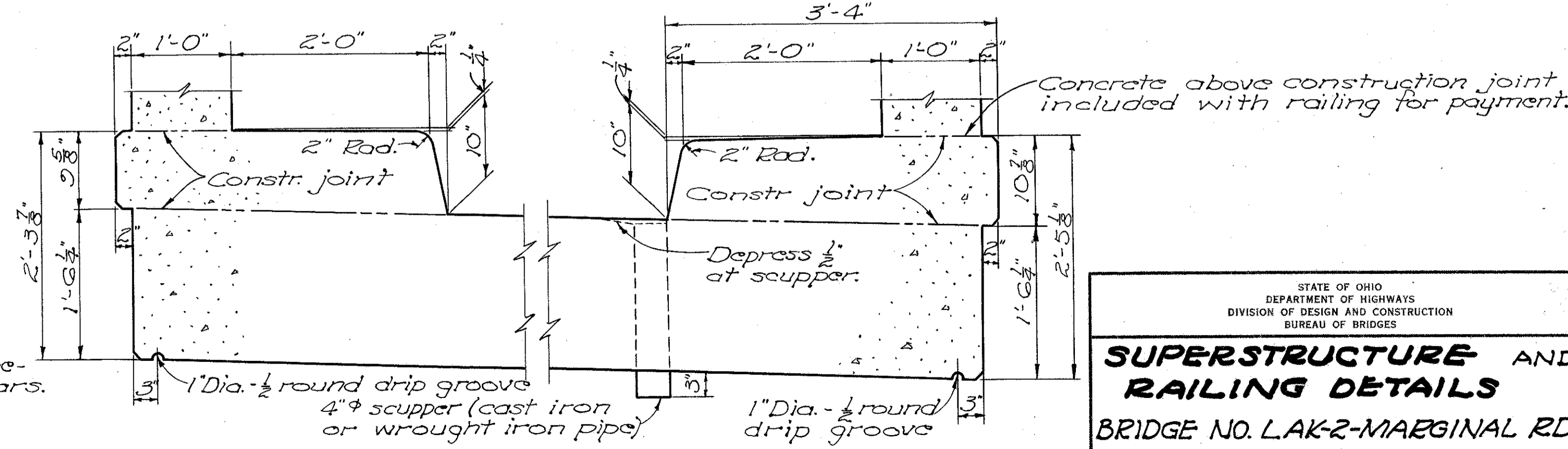
For additional details see ABUTMENT DETAILS, sheet no. 375 & COMMON DETAILS, sheet no. 393 A.



SECTION A-A



SECTION B-B (Railing not shown on this section)



CURB DETAILS

STATE OF OHIO DEPARTMENT OF HIGHWAYS DIVISION OF DESIGN AND CONSTRUCTION BUREAU OF BRIDGES						
<b>SUPERSTRUCTURE AND RAILING DETAILS</b>						
BRIDGE NO. LAK-2-MARGINAL RD.						
LAKE COUNTY				STA. 24+48.49		
				STA. 24+77.51		
DESIGNED	DRAWN	TRACED	CHECKED	REVIEWED	DATE	REVISED
DGM	DLM DGM	EEM Prose	RLD	BFG A.J.F.	3-4-59	