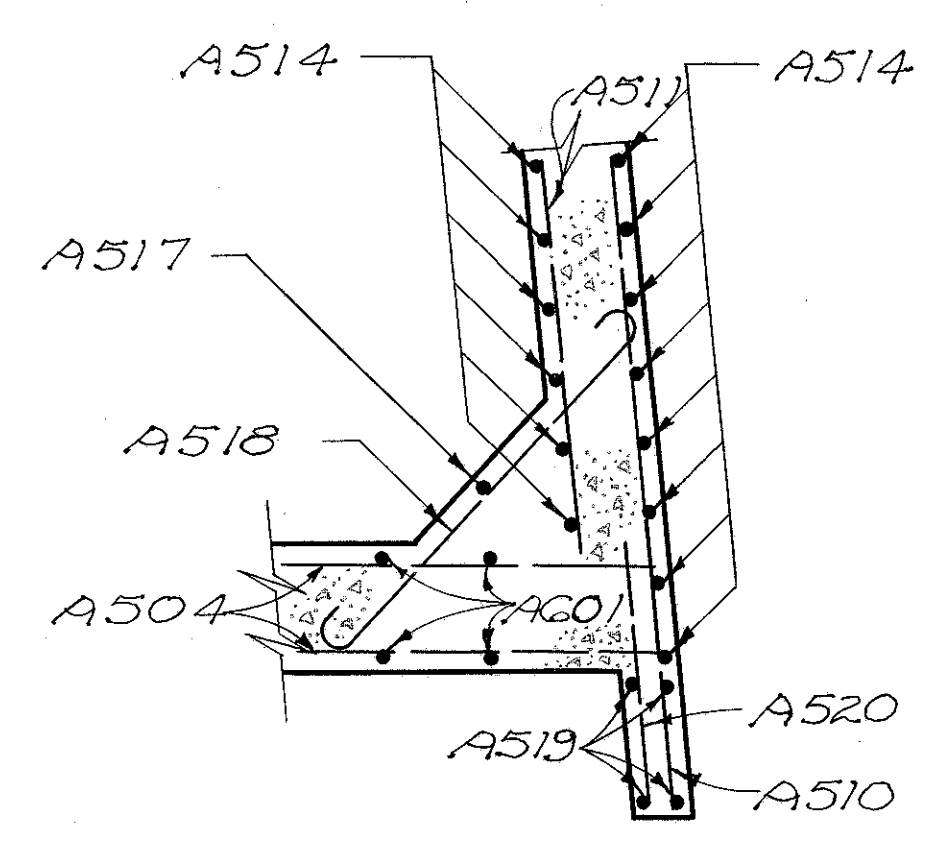
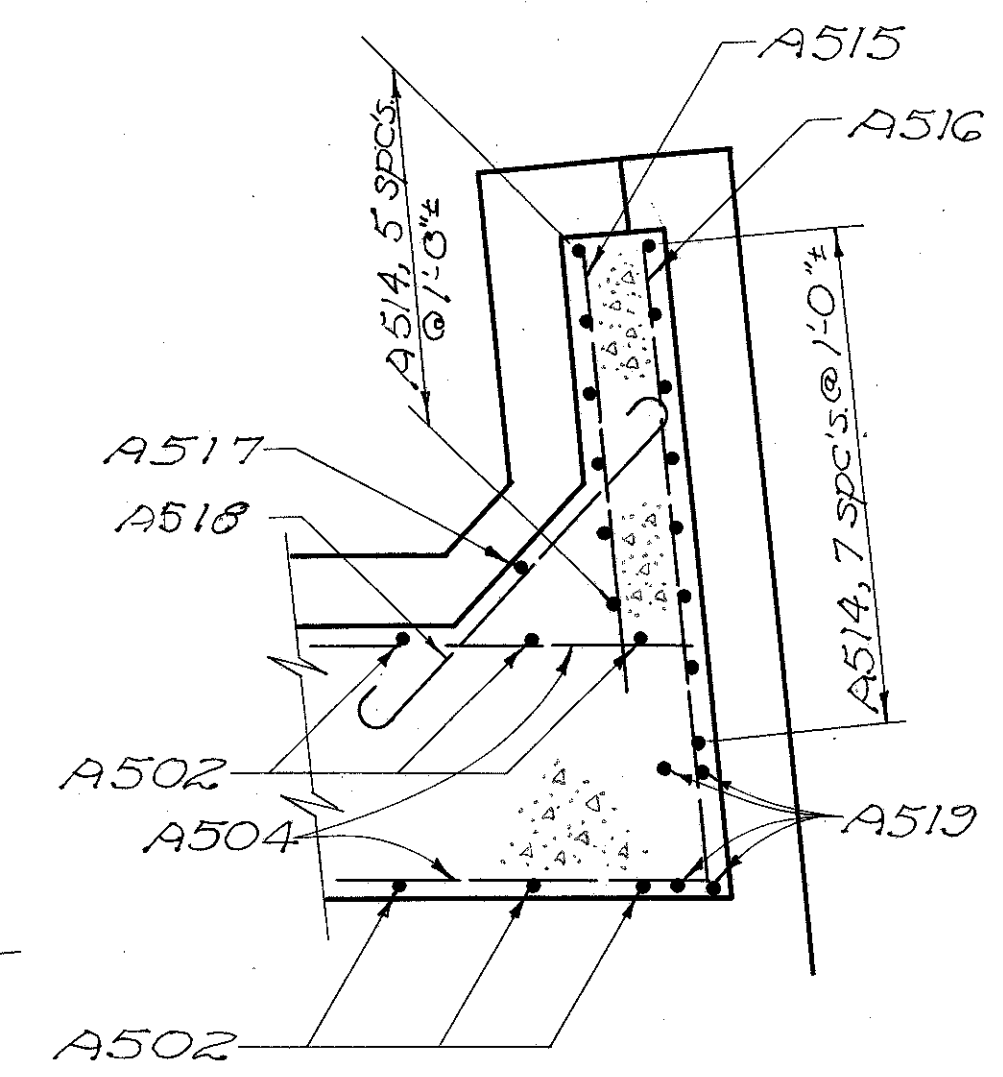
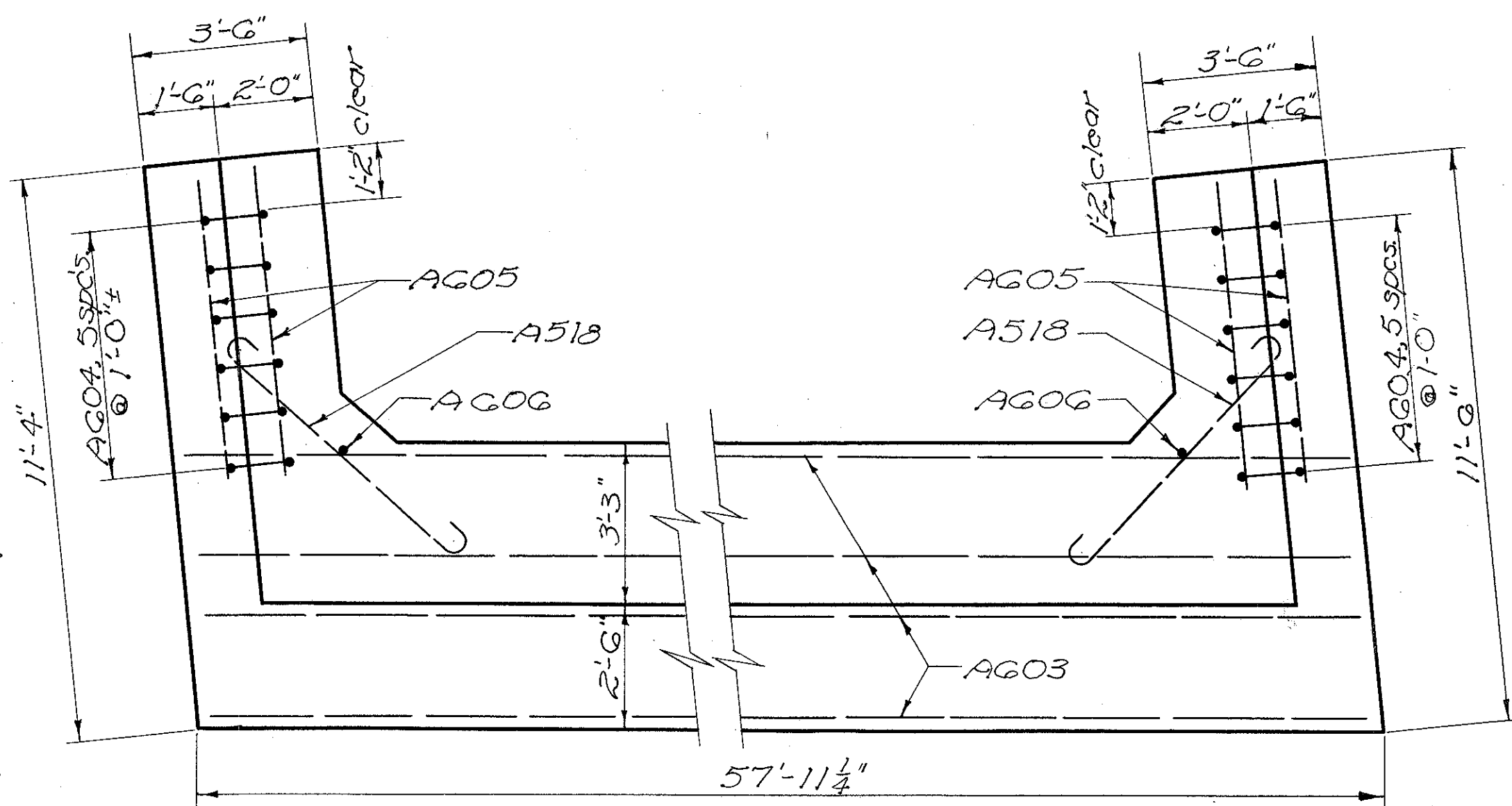
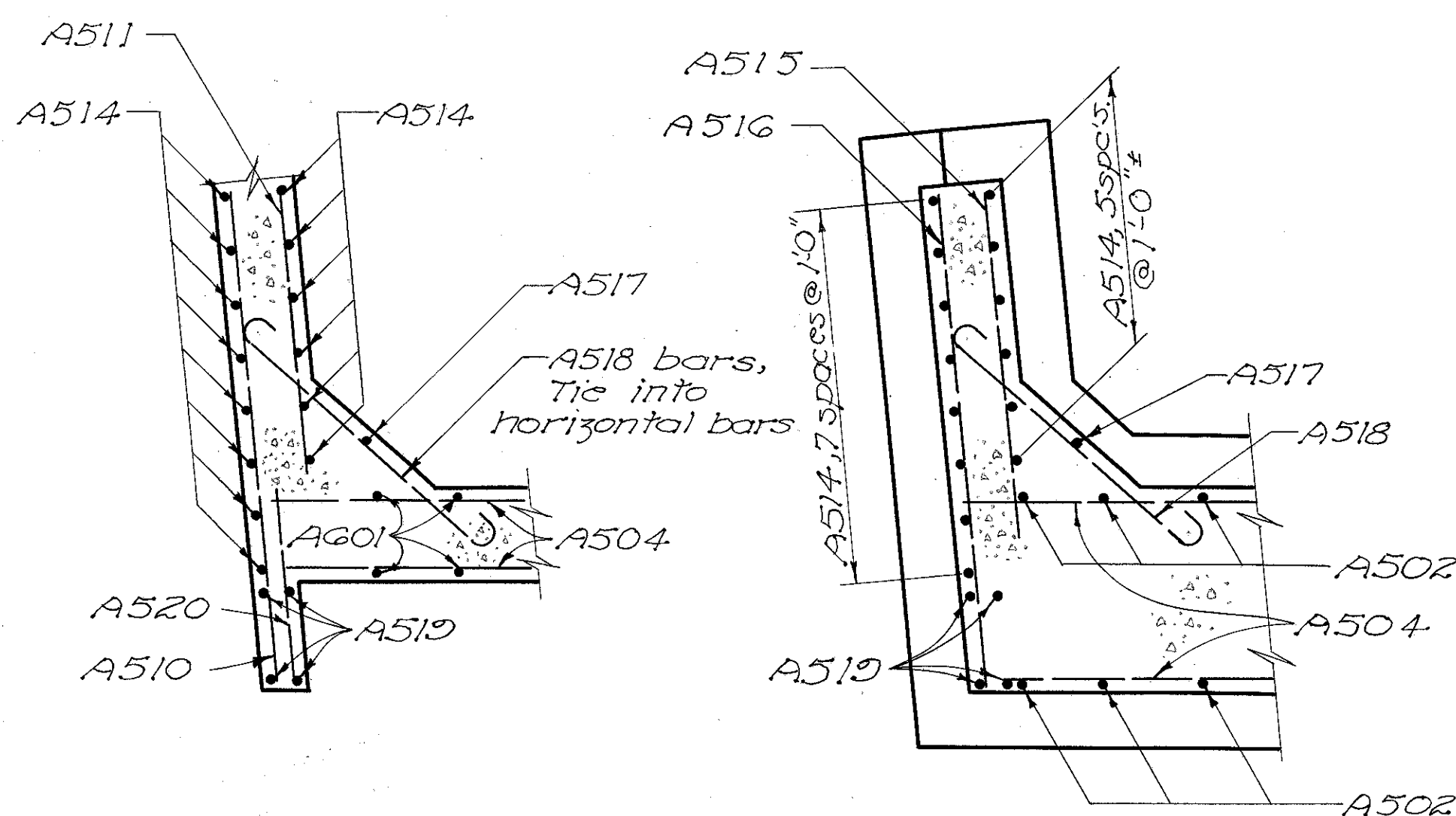


MICROFILMED
SEP 18 1986

FED. RD. DIVISION	STATE	PROJECT	
2	OHIO		

352
394

LAK-2-0.00



PART SECTION
ABOVE BRIDGE SEAT

PART SECTION
ABOVE FOOTING

PART PLAN OF FOOTING

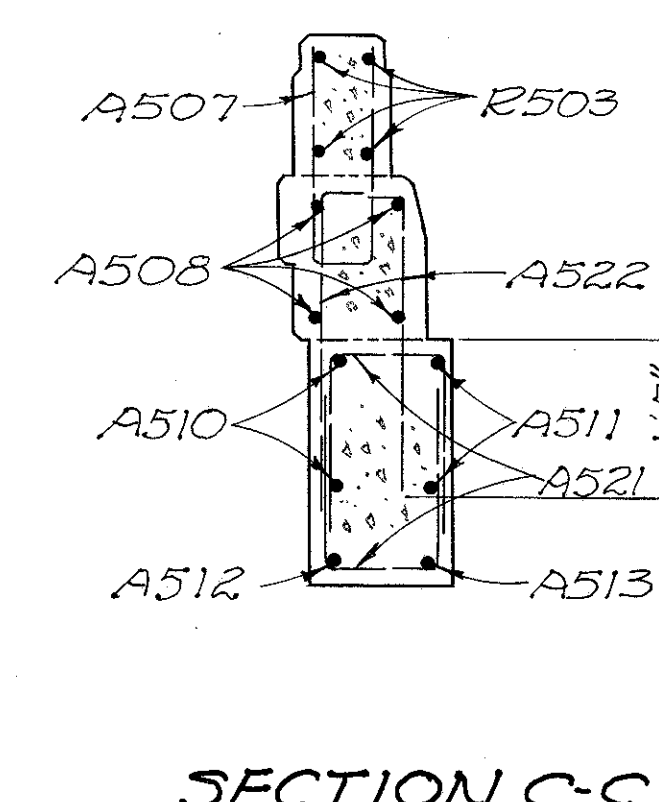
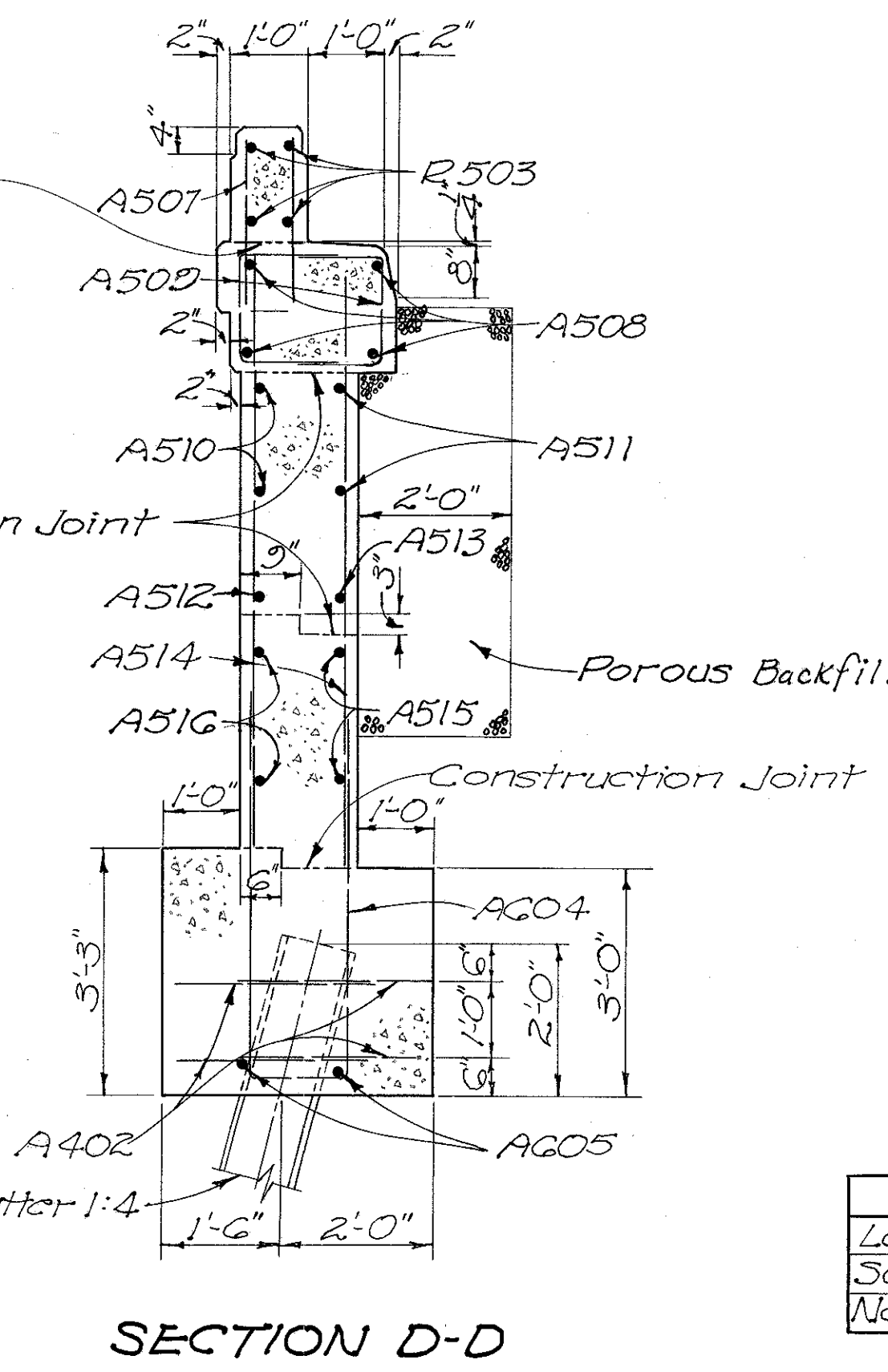
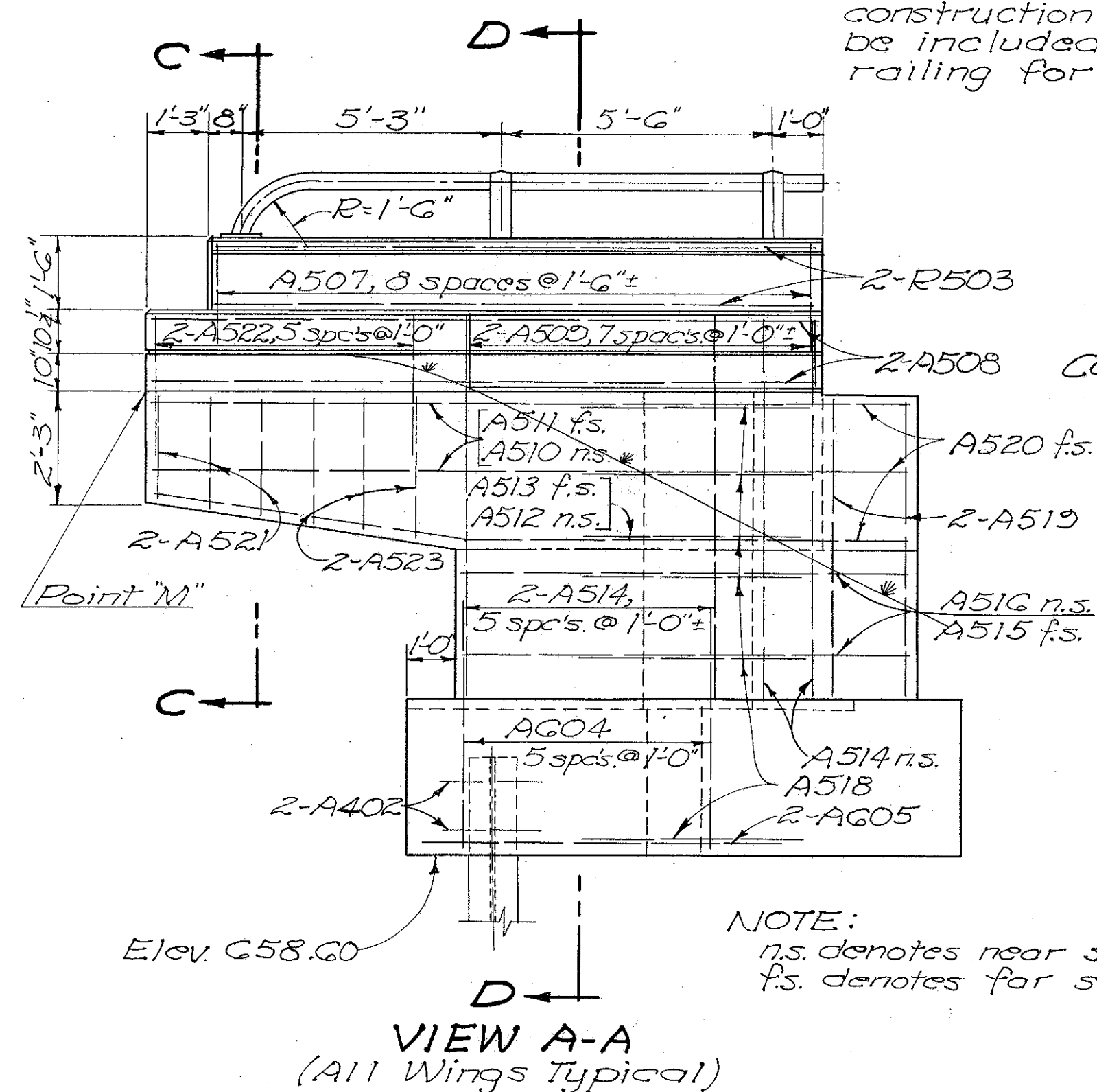
PART SECTION
ABOVE FOOTING

PART SECTION
ABOVE BRIDGE SEAT

For details of Railing, reference shall be made to "Common Details," Street No. 393A

Railing shall be continuous thru all abutment posts.

Concrete above this construction joint to be included with railing for payment.



SECTION C-C

ELEVATIONS AT POINT "M"

Location	Abutment 1	Abutment 2	Abutment 3	Abutment 4
South Wing	GG7.58	GG7.63	GG7.83	GG7.89
North Wing	GG7.87	GG7.90	GG7.62	GG7.60

STATE OF OHIO
DEPARTMENT OF HIGHWAYS
DIVISION OF DESIGN AND CONSTRUCTION
BUREAU OF BRIDGES

**TYPICAL DETAILS
FOR ABUTMENTS
BRIDGE NO. LAK-2-018/L#R
OVER RUSH ROAD
LAKE COUNTY OHIO STA. 125+14.24
12G+73.22**

DESIGNED	DRAWN	TRACED	CHECKED	REVIEWED	DATE	REVISED
H.L.C.	H.L.C.	R.E.M.	B.G.F.			