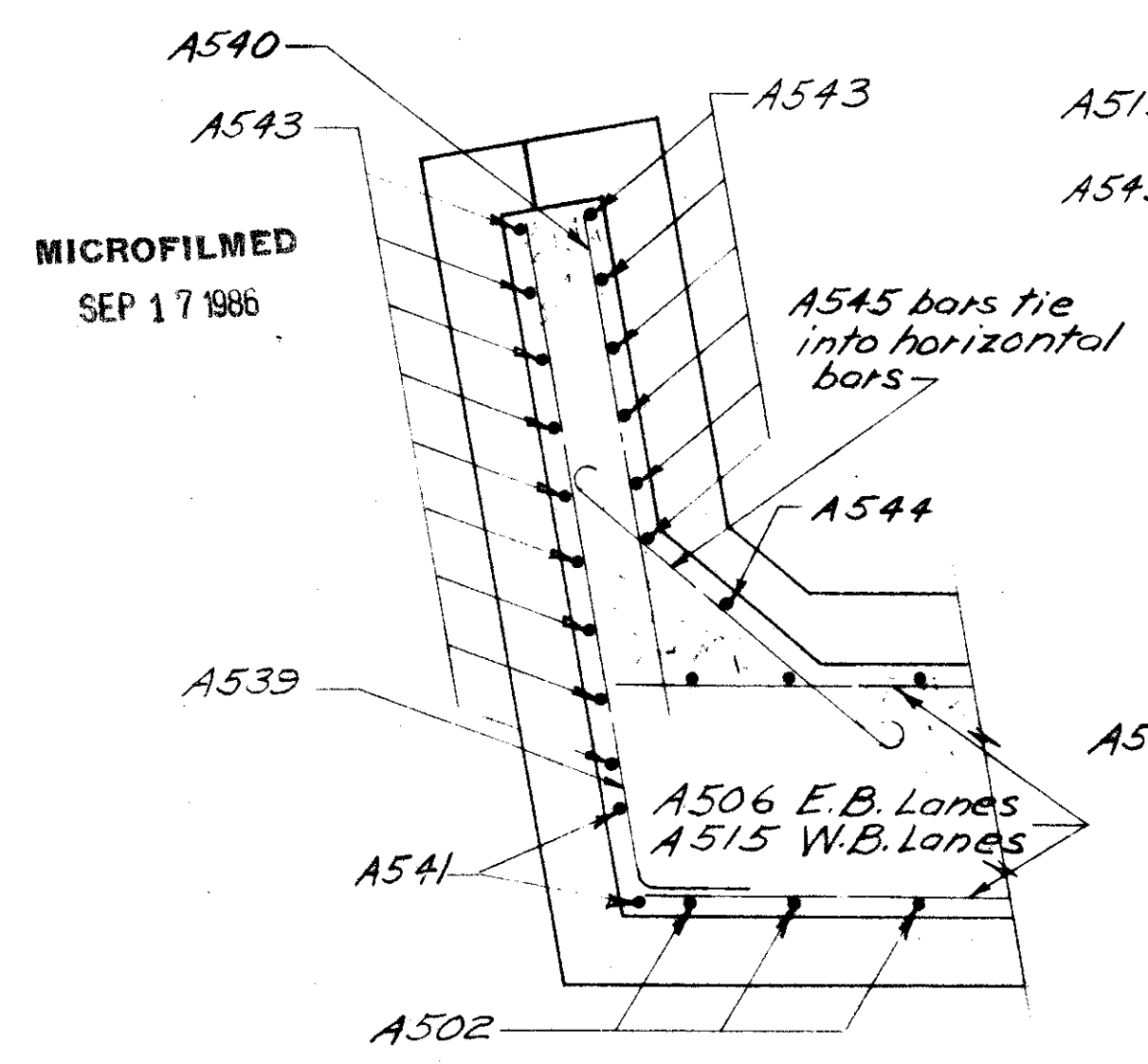
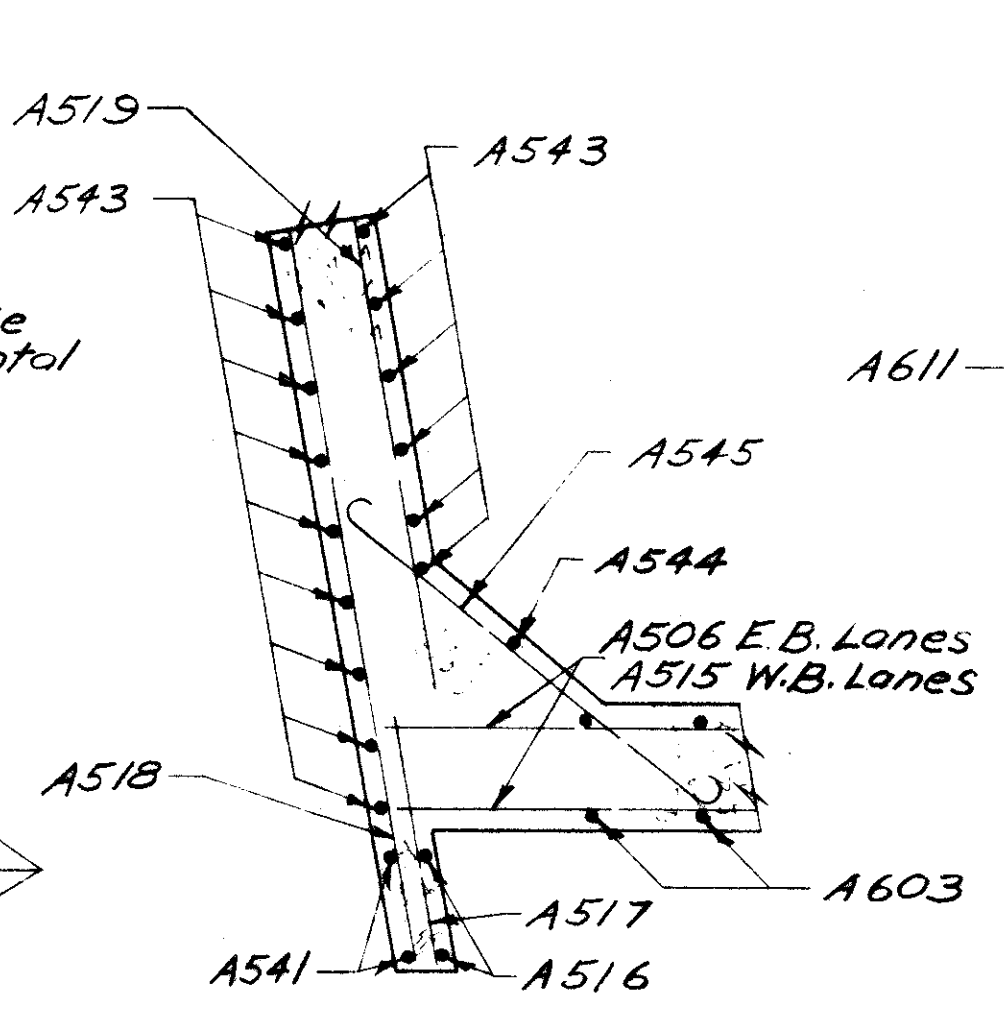


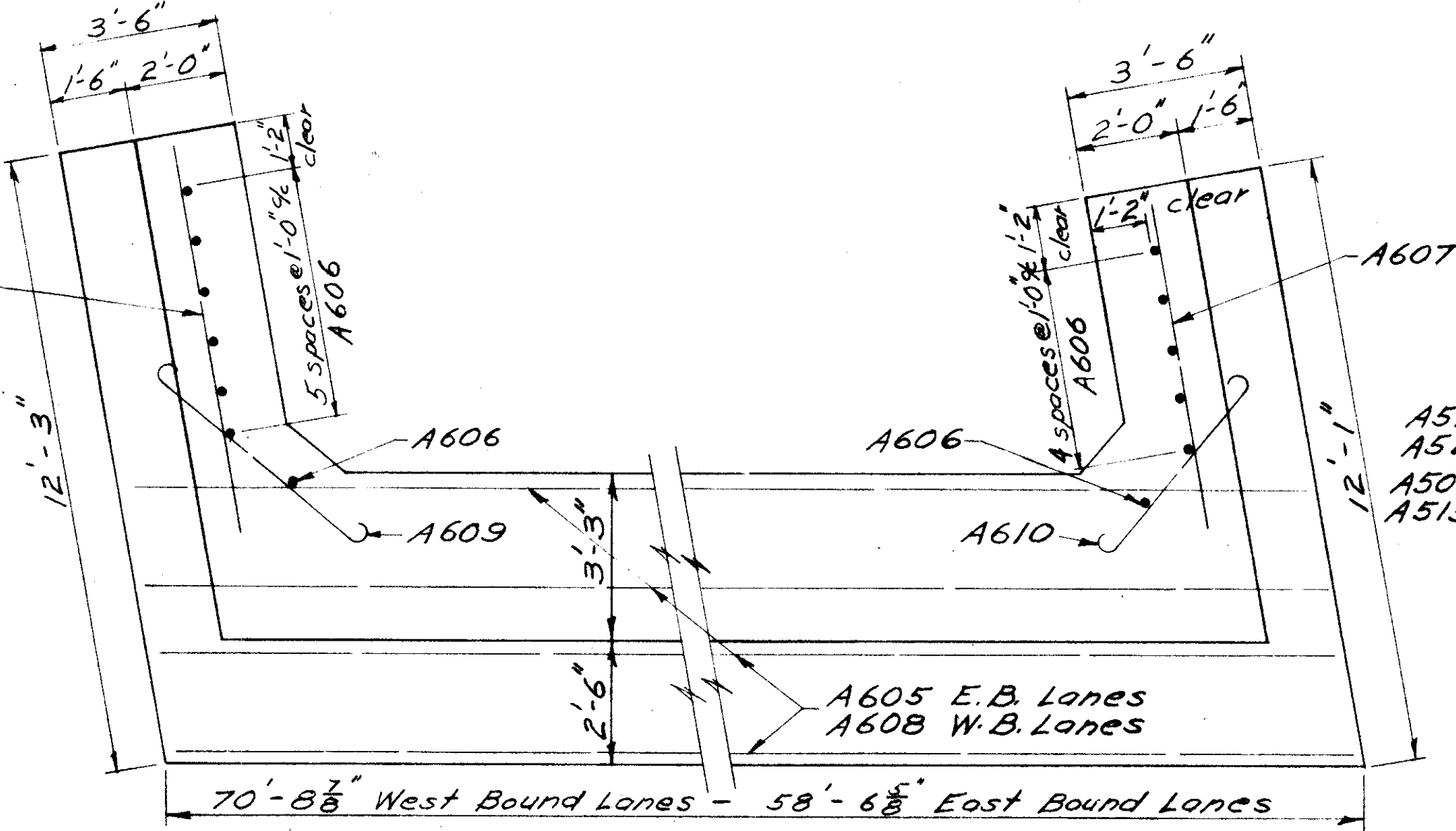
LAK-2-0.00



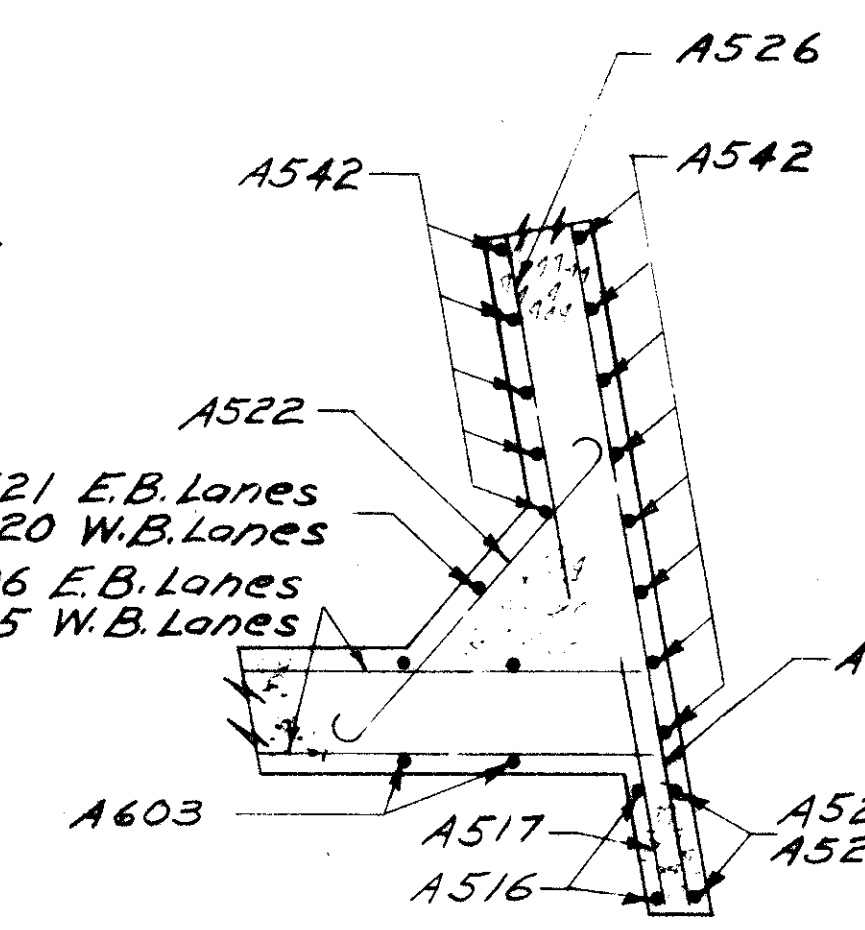
SECTION ABOVE FOOTING



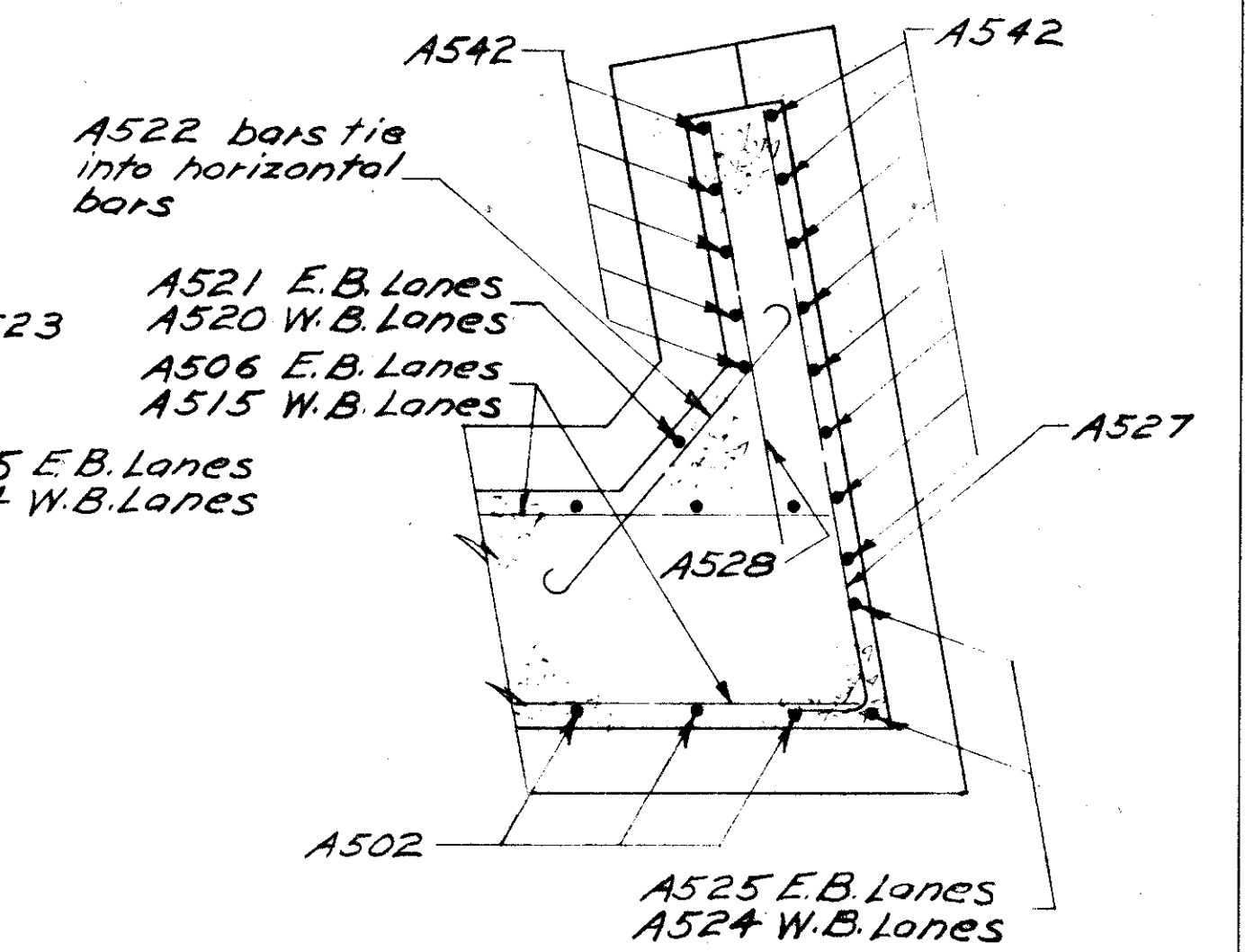
SECTION ABOVE BRIDGE SEAT



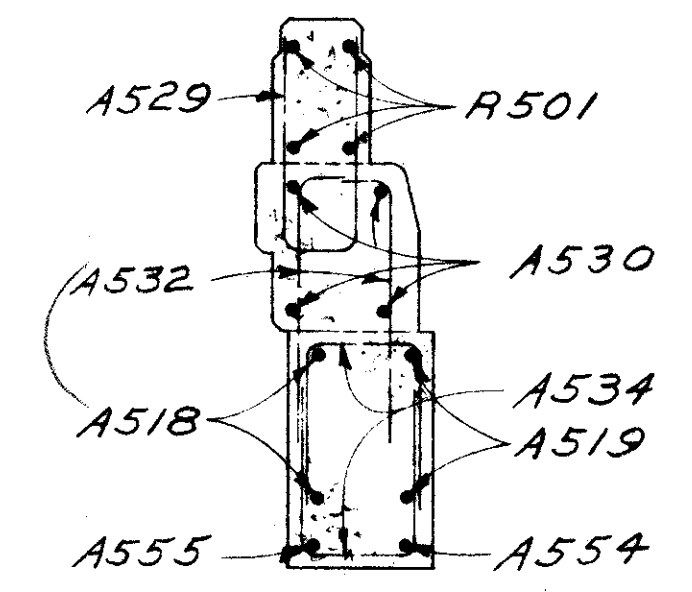
PART PLAN OF FOOTING



SECTION ABOVE BRIDGE SEAT

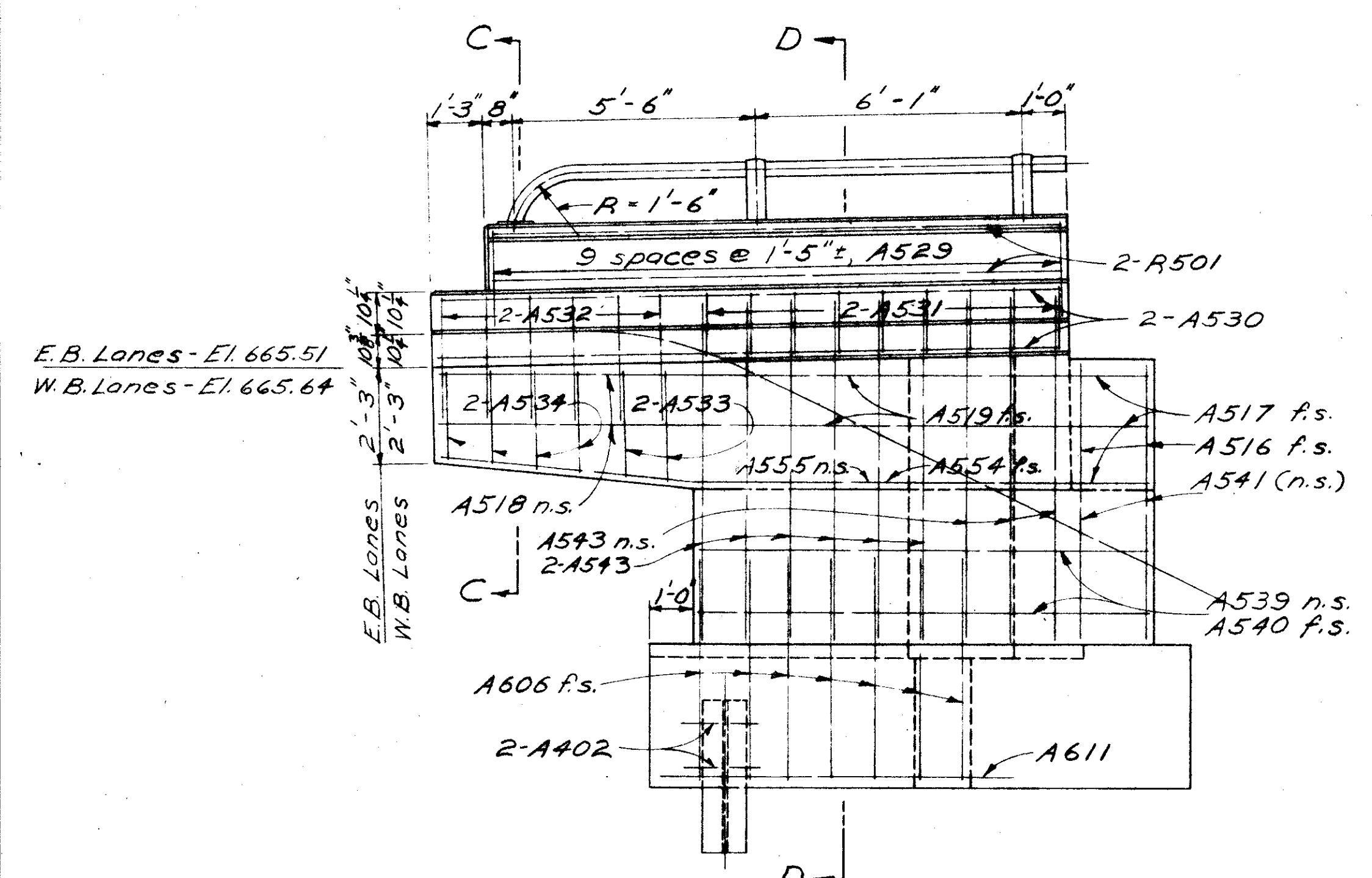


SECTION ABOVE FOOTING

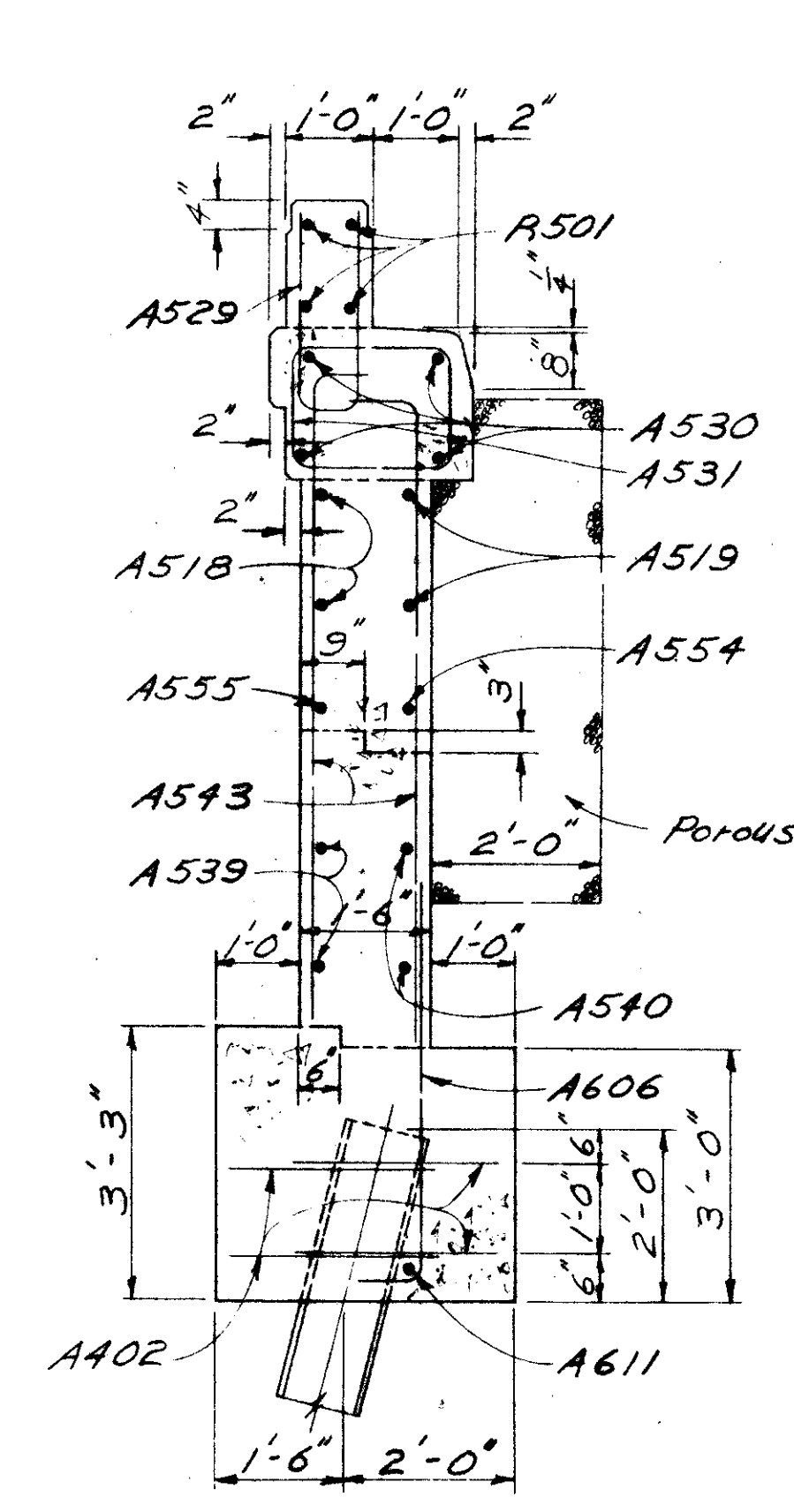


SECTION C-C

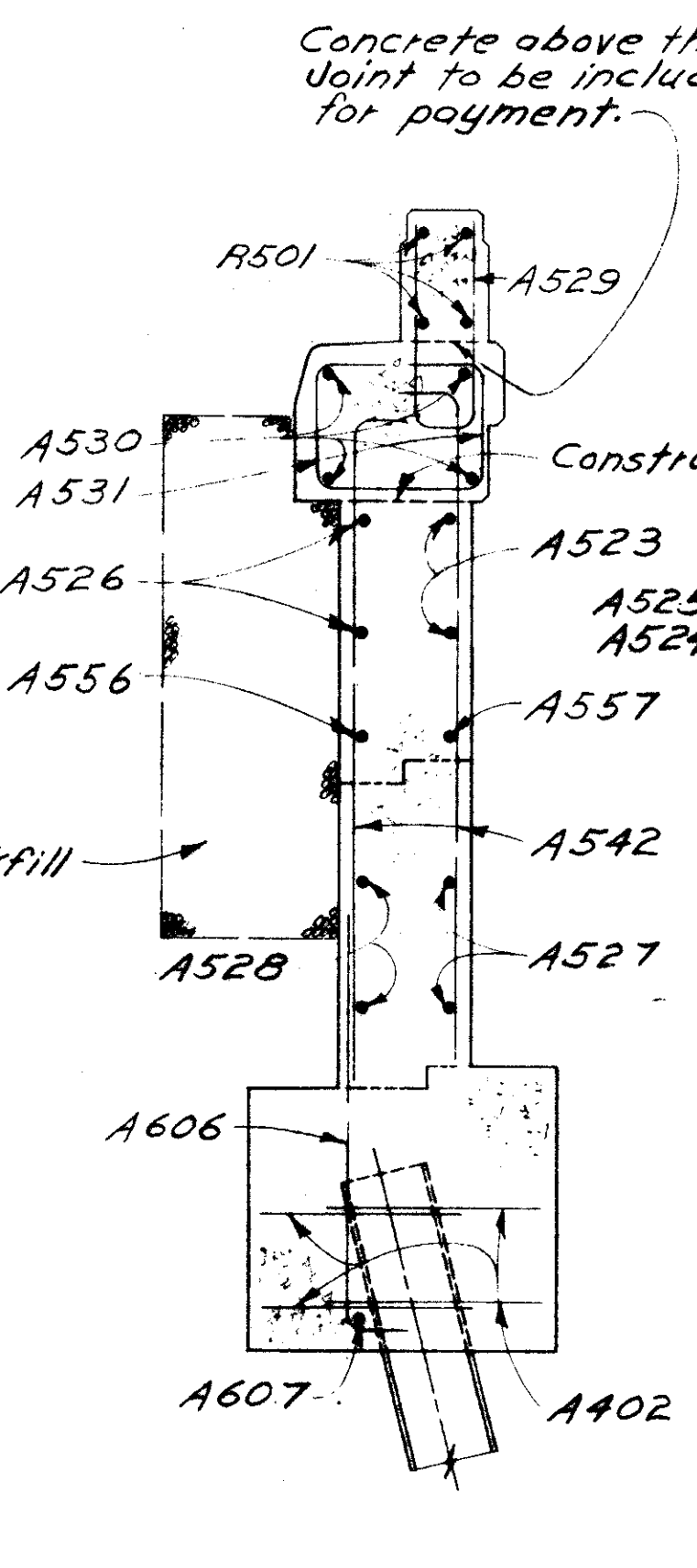
Railing shall be continuous thru all abutment posts.



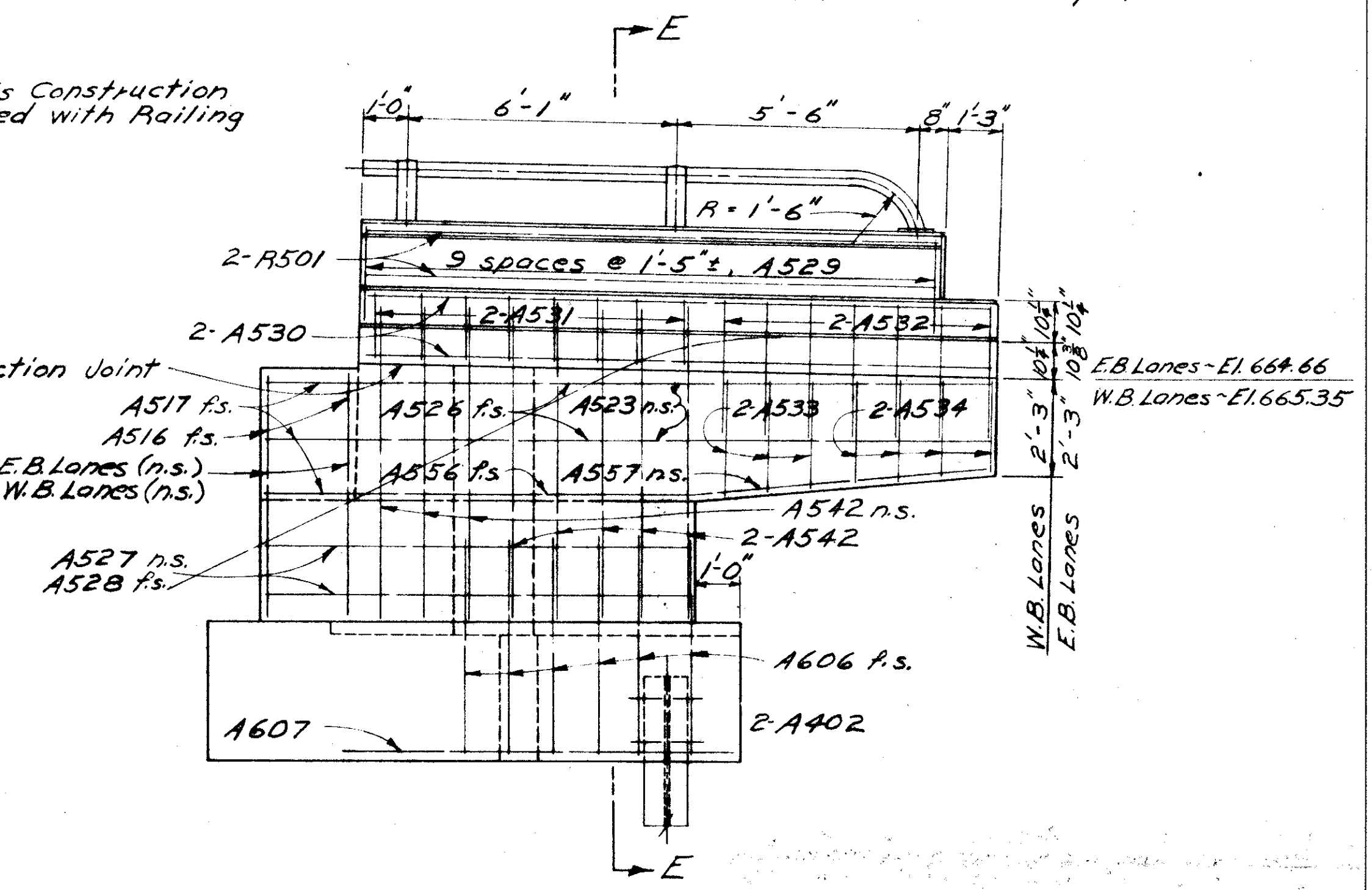
VIEW A-A



SECTION D-D



SECTION E-E



VIEW B-B

TYPICAL ABBREVIATIONS
 E.B. Lanes - East Bound Lanes
 W.B. Lanes - West Bound Lanes
 n.s. - near side
 p.s. - far side

STATE OF OHIO
 DEPARTMENT OF HIGHWAYS
 DIVISION OF DESIGN AND CONSTRUCTION
 BUREAU OF BRIDGES

DETAILS FOR FORWARD ABUTMENTS
 BRIDGE NO. LAK-2-00574R
 OVER RAMP
 LAKE COUNTY Sta. 129+13.72
 130+79.28

| | | | | | | |
|----------|--------|--------|---------|----------|----------|---------|
| DESIGNED | DRAWN | TRACED | CHECKED | REVIEWED | DATE | REVISED |
| E.B.L. | E.B.L. | | R.H.N. | BFG | 11-19-58 | |