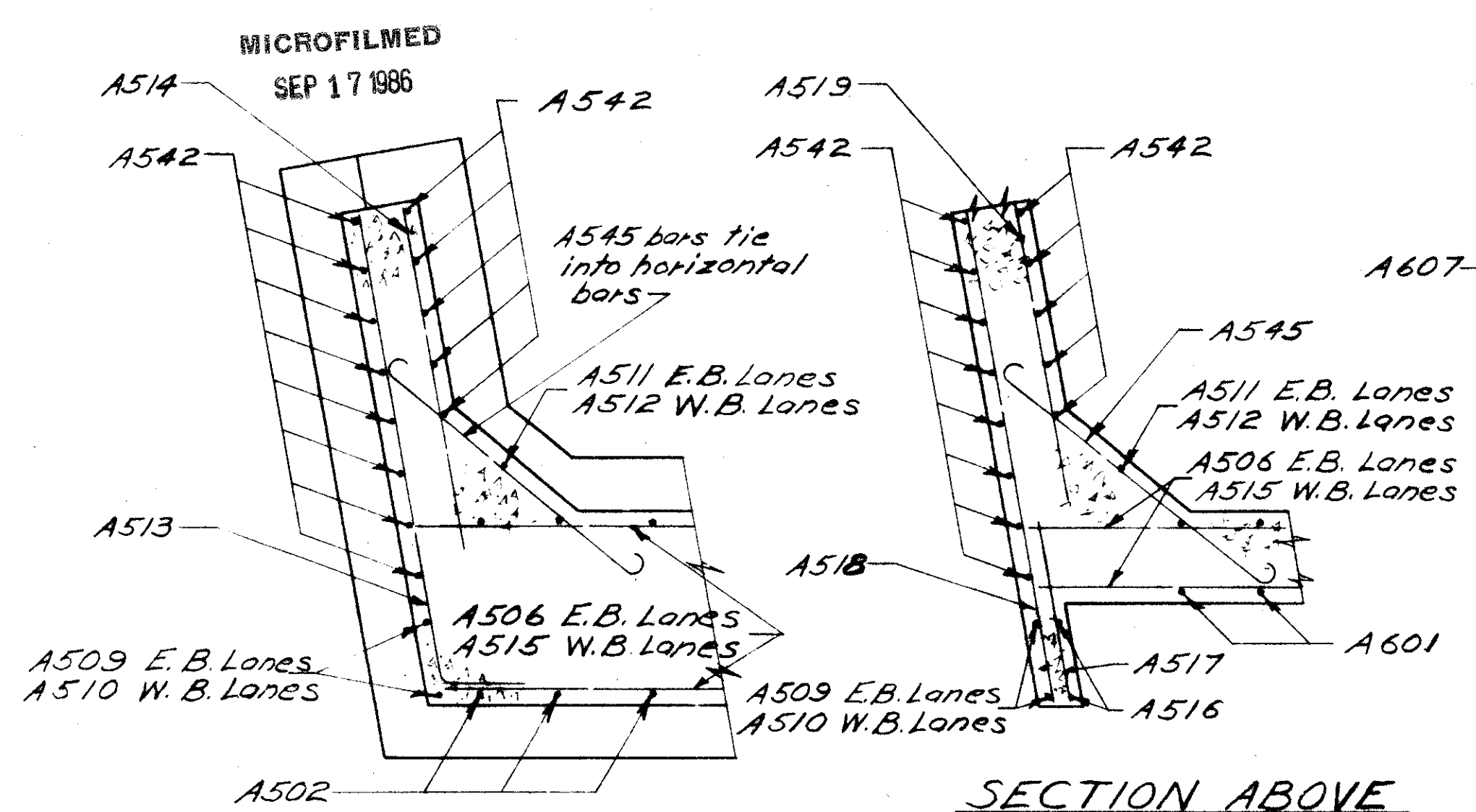
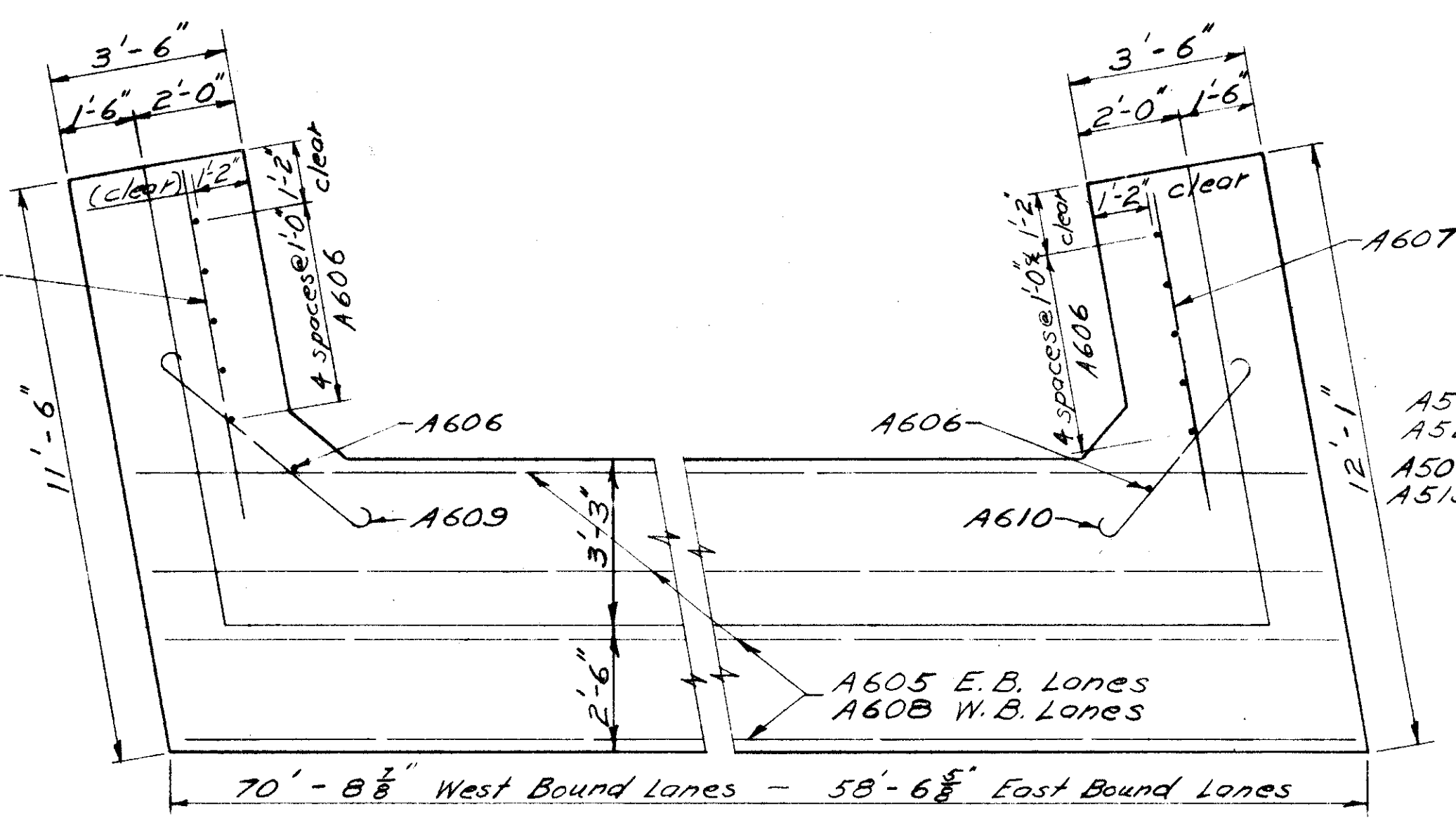


LAK-2-0.00

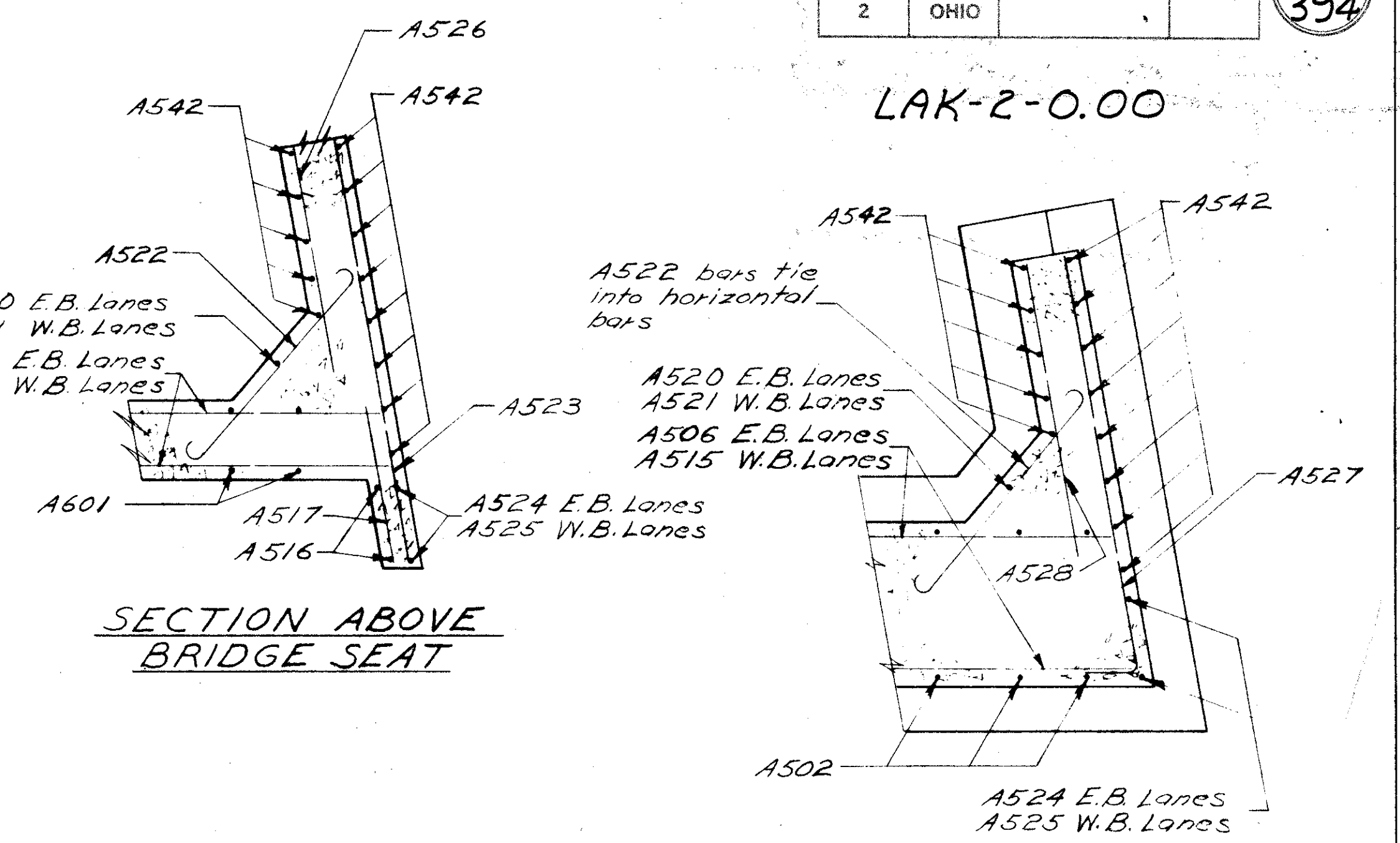


SECTION ABOVE FOOTING

SECTION ABOVE BRIDGE SEAT

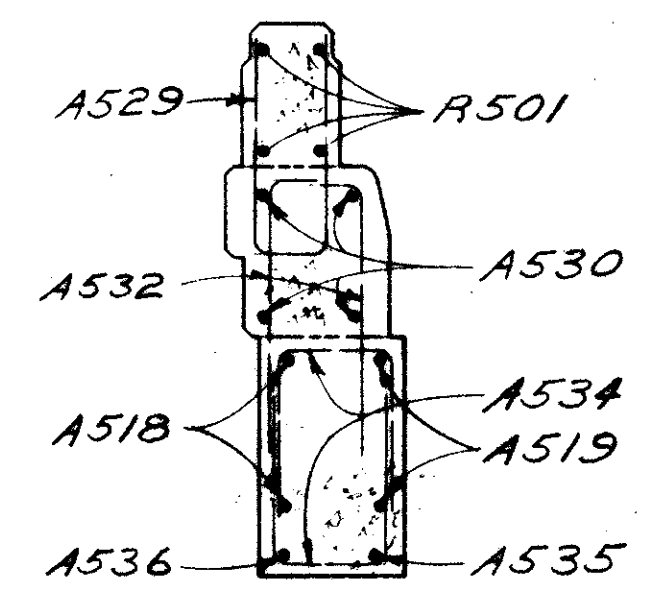


PART PLAN OF FOOTING

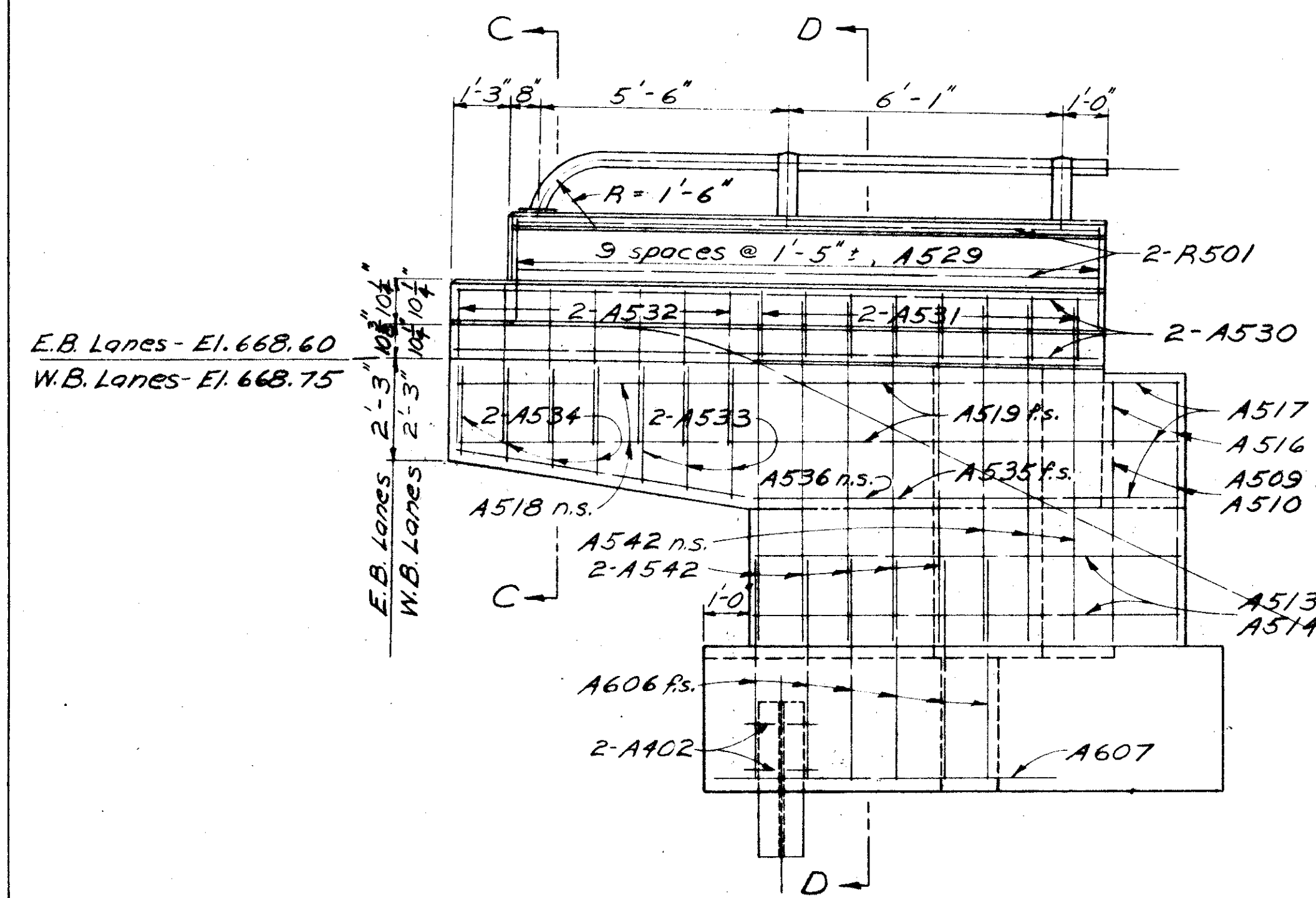


SECTION ABOVE BRIDGE SEAT

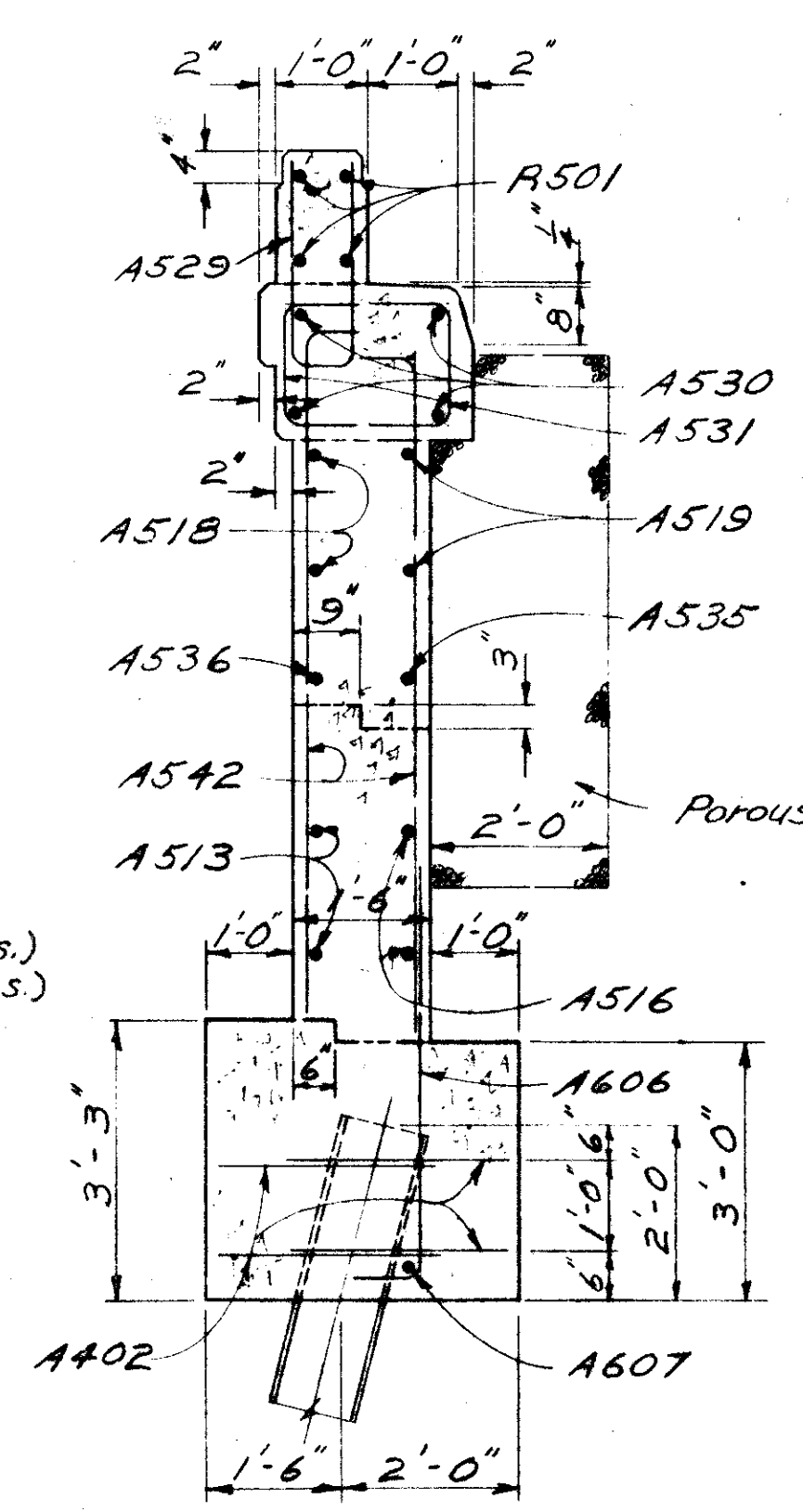
SECTION ABOVE FOOTING



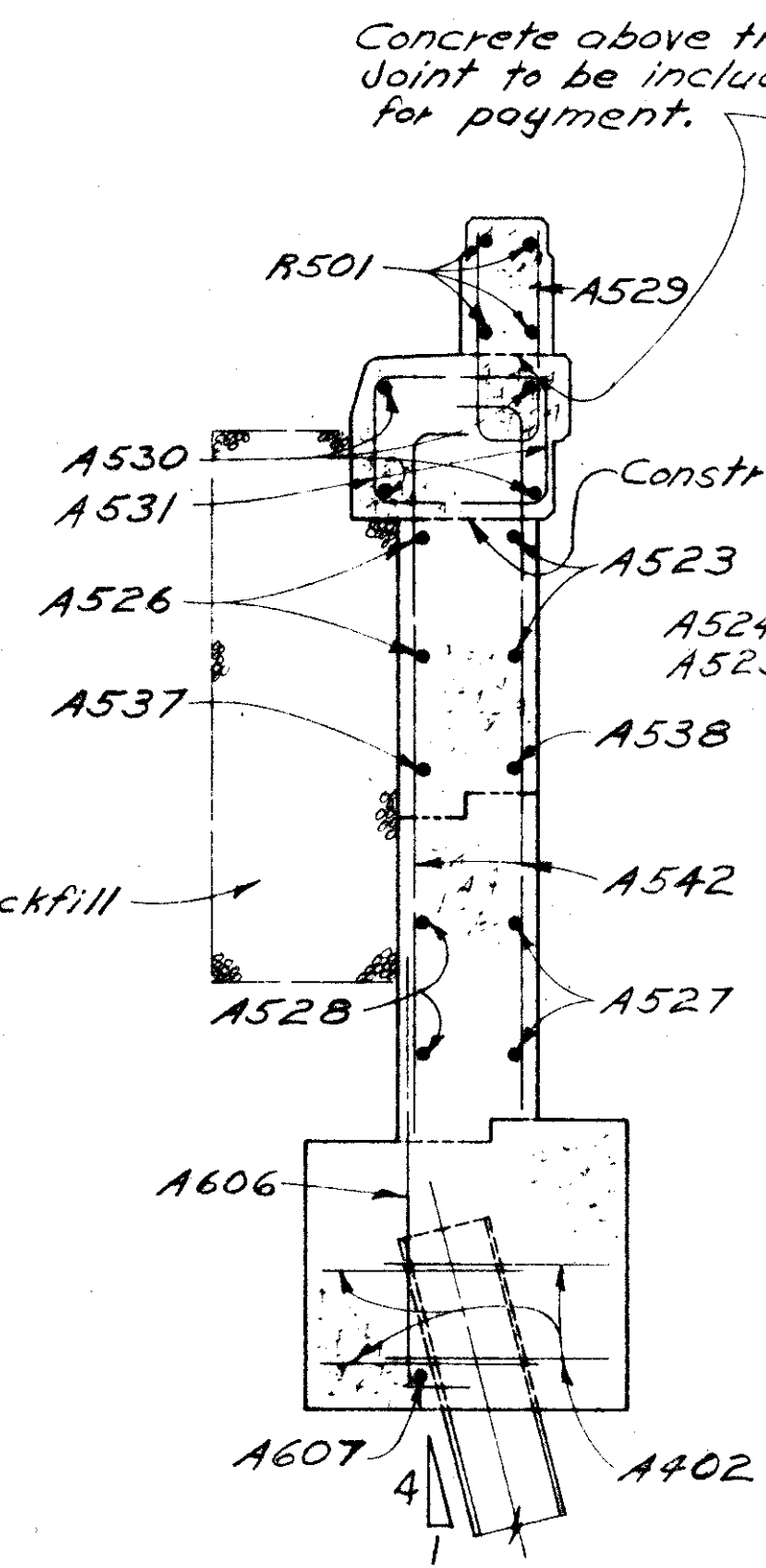
SECTION C-C



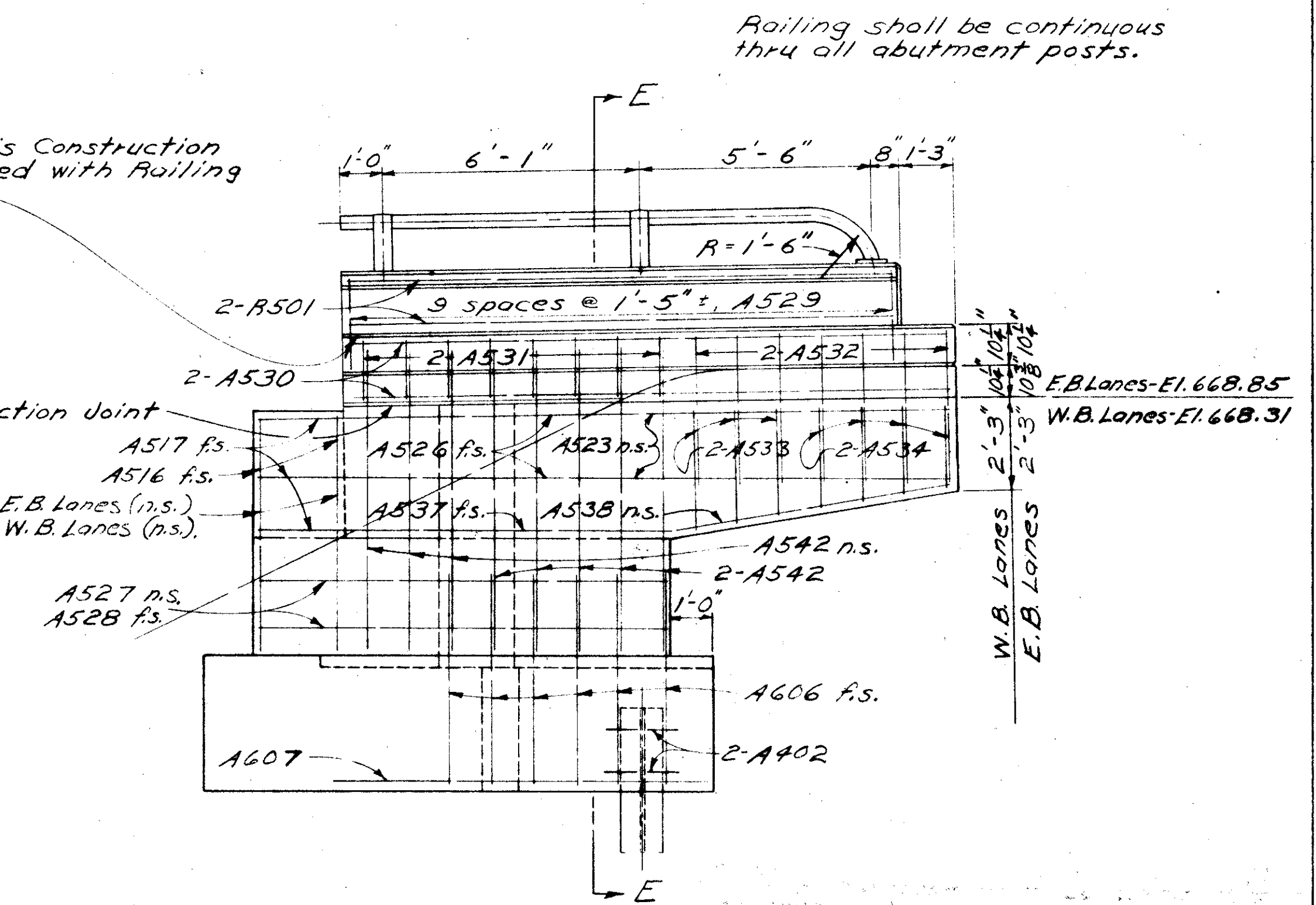
VIEW A-A



SECTION D-D



SECTION E-E



VIEW B-B

STATE OF OHIO
DEPARTMENT OF HIGHWAYS
DIVISION OF DESIGN AND CONSTRUCTION
BUREAU OF BRIDGES

**DETAILS FOR
REAR ABUTMENTS
BRIDGE NO. LAK-2-0057L&R
OVER RAMP
LAKE COUNTY Sta. 129 + 13.72
130 + 79.28**

DESIGNED	DRAWN	TRACED	CHECKED	REVIEWED	DATE	REVISED
E.B.L.	E.B.L.		R.H.N.	BFG	11-19-58	

TYPICAL ABBREVIATIONS
E.B. Lanes - East Bound Lanes
W.B. Lanes - West Bound Lanes
n.s. - near side
f.s. - far side