

# 38" x 24" ROADWAY PIPE CULVERT

STA. 221+08

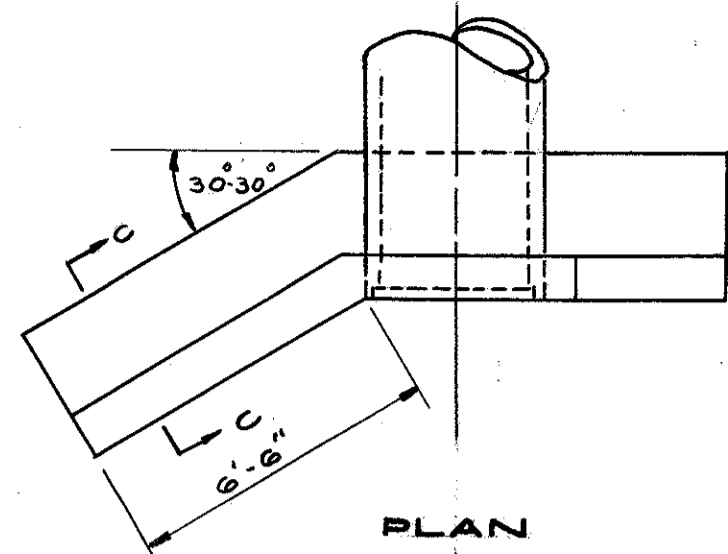
SCALE: 1" = 20'

REF. NO. 1-C SHEET NO. 37

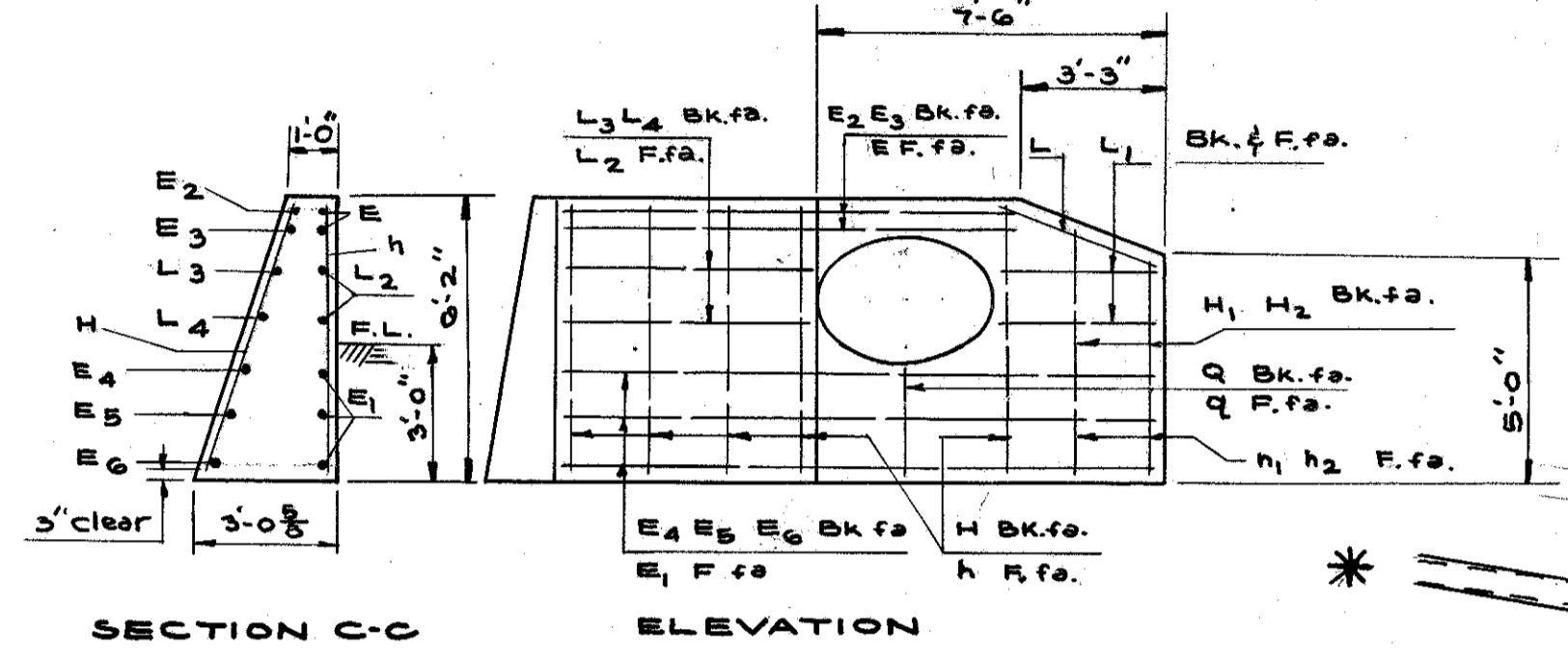
FED. RD. DIVISION	STATE	PROJECT
2	OHIO	

300  
374

LAKE COUNTY  
LAK. - 2-0.00



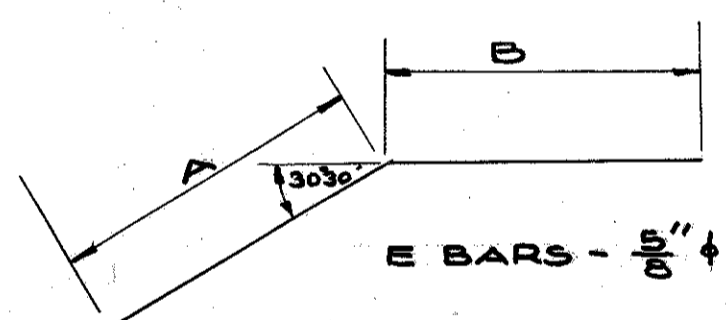
SCALE: 1/4" = 1'-0"



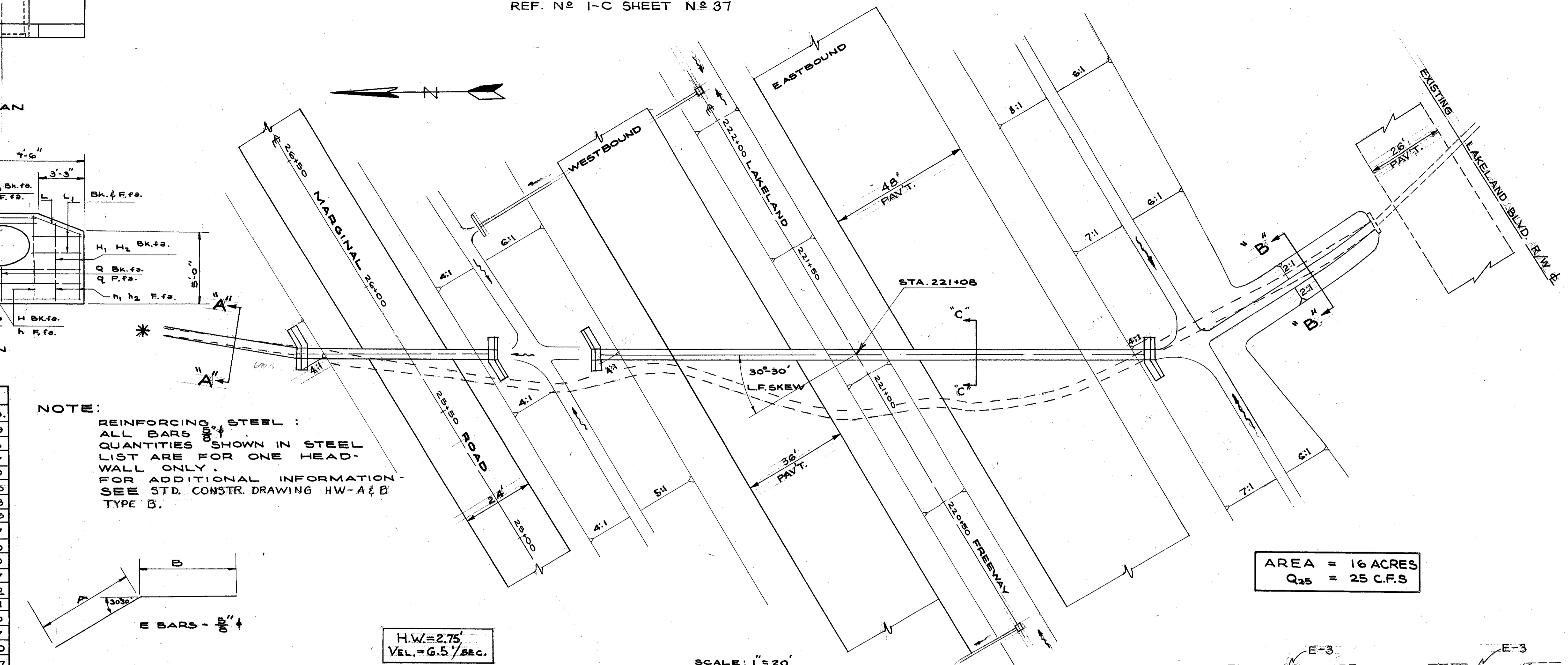
SECTION C-C ELEVATION

MARK NO.	A	B	LENGTH	LBS.	
H	5		6'-0"	31.29	
H <sub>1</sub>	1		5'-4"	556	
H <sub>2</sub>	1		4'-8"	487	
H	5		5'-9"	29.99	
H <sub>1</sub>	1		5'-1"	530	
H <sub>2</sub>	1		4'-7"	478	
A	1		2'-3"	2.99	
Q	1		2'-1"	2.17	
L <sub>1</sub>	2		3'-3"	7.80	
L <sub>2</sub>	4		3'-5"	7.13	
L <sub>3</sub>	2		6'-2"	12.87	
L <sub>3</sub>	1		6'-9"	7.02	
L <sub>4</sub>	1		6'-11"	7.21	
E	2	6'-4"	4'-2"	10'-6"	21.90
E <sub>1</sub>	3	6'-4"	7'-4"	13'-8"	42.77
E <sub>2</sub>	1	6'-6"	4'-4"	10'-10"	11.30
E <sub>3</sub>	1	6'-7"	4'-5"	11'-0"	11.47
E <sub>4</sub>	1	6'-11"	7'-9"	14'-8"	15.30
E <sub>5</sub>	1	7'-0"	7'-11"	14'-11"	15.56
E <sub>6</sub>	1	7'-1"	8'-1"	15'-2"	15.82
TOTAL				322.46	

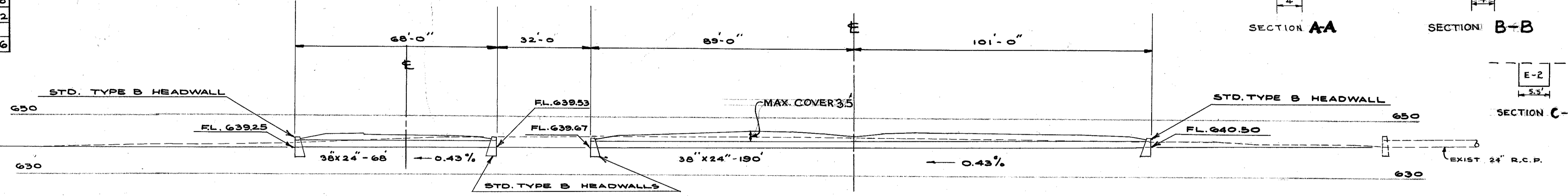
NOTE:  
REINFORCING STEEL:  
ALL BARS  
QUANTITIES SHOWN IN STEEL  
LIST ARE FOR ONE HEAD-  
WALL ONLY.  
FOR ADDITIONAL INFORMATION -  
SEE STD. CONSTR. DRAWING HW-A & B  
TYPE B.



H.W. = 2.75'  
VEL. = 6.5' / SEC.



AREA = 16 ACRES  
Q<sub>25</sub> = 25 C.F.S



\* NOTE:  
CHANNEL OUT 150' FROM CULVERT  
OUTLET TO EXISTING DITCH ELEV.  
OF 639' ±.

### CULVERT DATA

SKREW : 30° 30' LT. FWD.  
TYPE : S-27 M-206.6 (b)  
SIZE : 38" x 24" - 250'  
WORK REQUIRED : BUILD 38" x 24" PIPE CULVERT WITH STD.  
TYPE B HEADWALLS AS SHOWN.  
CHANNEL EXCAVATION BOTH ENDS.

### ESTIMATED QUANTITIES

* E-2 EXCAVATION FOR STRUCTURES	230	CU. YDS.
E-3 CHANNEL EXCAVATION	70	CU. YDS.
S-1 CONCRETE FOR STRUCTURES CLASS C.	23.6	CU. YDS.
S-4 REINFORCING STEEL	1290	LBS.
S-27 38" x 24" REINFORCED ELLIPTICAL PIPE M-206.6 (b)	258	L.F.
* INCLUDES E-2 FOR HEADWALLS		

STRUCTURE NO. LAK.-2-0229

PIPE CULVERT STA. 221+08