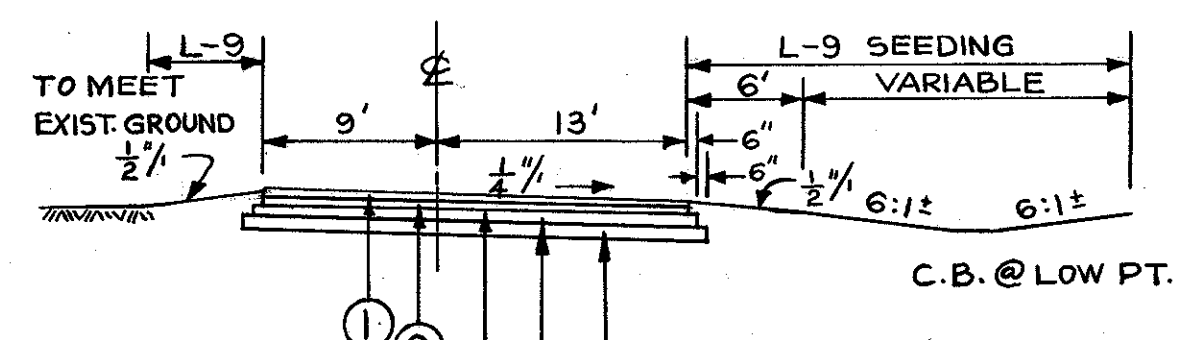
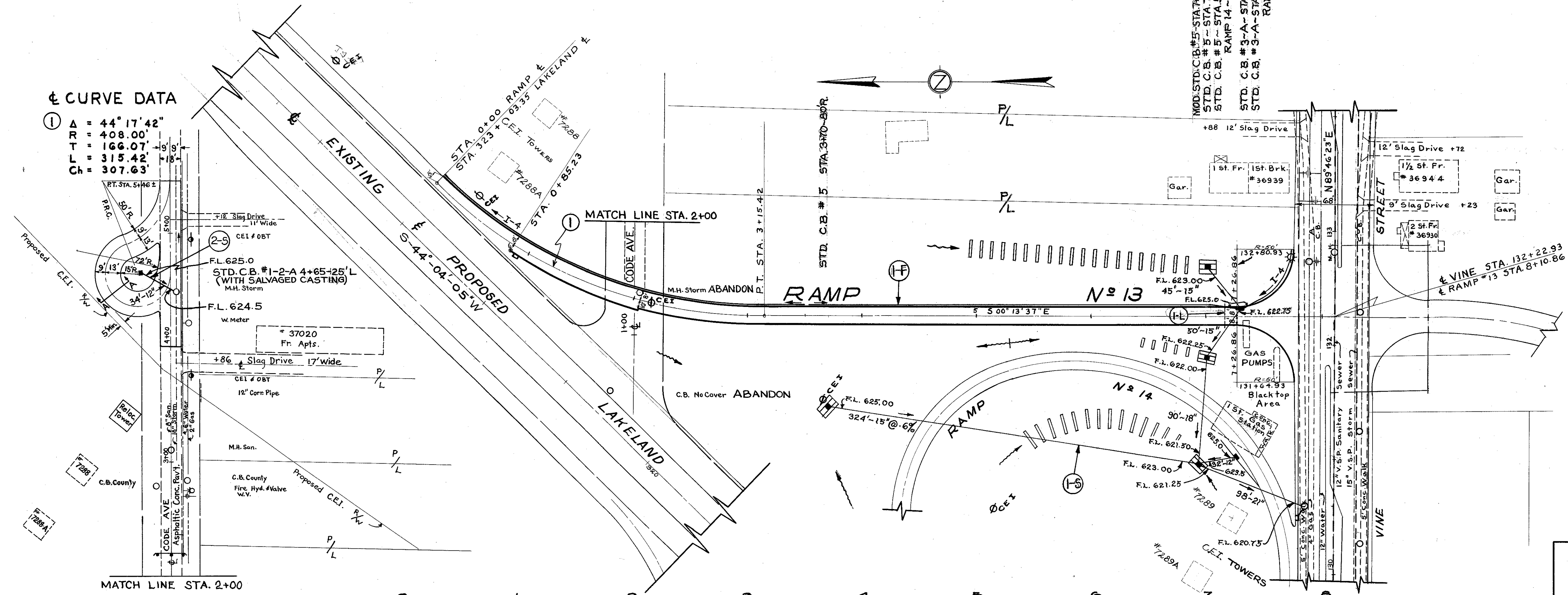
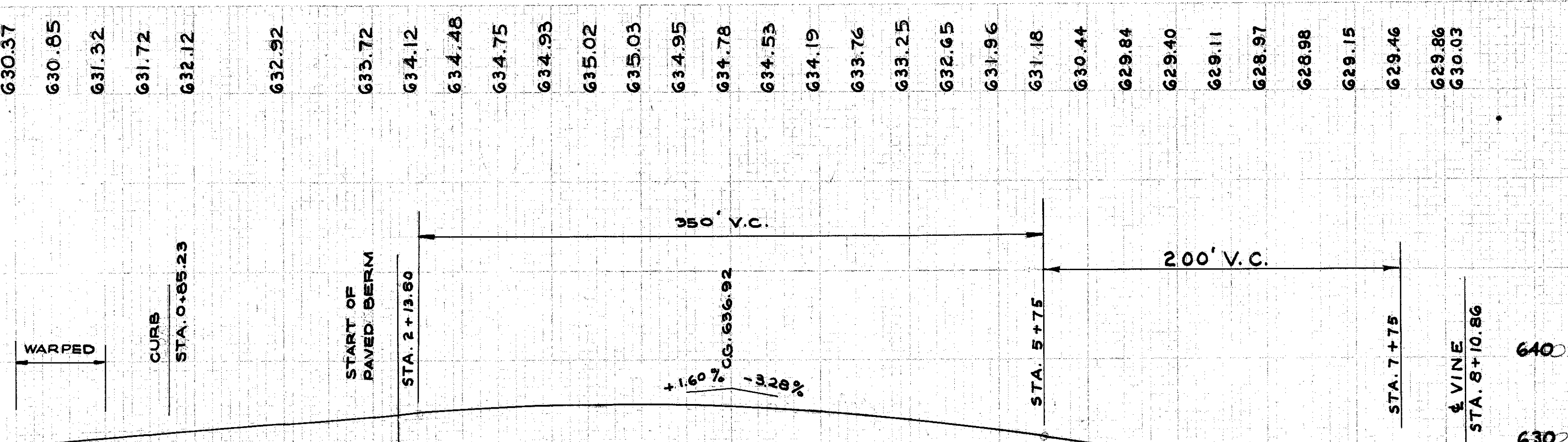


① Δ = 44° 17' 42"
R = 408.00'
T = 166.07'
L = 315.42'
Ch = 307.63'



- SEC. A-A
- 1 - T-35 - 1 1/2" TYPE C (70-85)
 - 2 - B-35 - 2 1/2" (70-85)
 - 3 - T-30 - 0.40 GAL./SQ. YD.
 - 4 - B-19 - 6"
 - 5 - T-22 - 5"

STATION		T-35	B-19	I-22	E-1	I-15	L-9	B-35	T-30
		ASPH. CONC. SURFACE COURSE	AGG. BASE COURSE	SUBBASE	EXCAV.	GUARD RAIL NO. 2-B	SEEDING	ASPH. CONC. LEVEL COURSE	BIT. PRIME COAT
FROM	TO	CU. YD.	CU. YD.	CU. YD.	CU. YD.	LN. FT.	SQ. YD.	CU. YD.	GAL.
4+00	5+46	25	110	90	200	25	200	42	214
2+20									
TOTALS		25	110	90	200	25	200	42	214



6" UNDERDRAINS				
REF. NO.	STATION	SIDE	I-4	LN. FT.
	FROM TO	R OR L	SHALLOW	
I-F	0+00 VINE ST.	L	792	

S-25 ELECTRICAL DUCT			
REF. NO.	LOCATION	SIZE	LENGTH
			LN. FT.
I-L	STA 7+20	2-2"	31

REF. STATION NO.	SIDE	CLASS	I-2		I-8		I-16 EACH L-10		
			UNDER PAVT.	UNDER PAVT.	STD. C.B. #1-2-A WITH SALV. CSTR.	STD. C.B. #3-A	STD. C.B. #5	MOD. C.B. #5	ABANDON
FROM TO	R OR L	15" 12" 18" 21" 12" 15"	90 98 32 290	2 3	1 1	1 1	1 1	103	
I-S 3+70 VINE ST.	R	15"	84 45						
I-S 3+70 VINE ST.	L	12"	84 45						
I-S 3+70 VINE ST.	Both	18"	90 98 32 290	2	3	1	1		
I-S 3+70 VINE ST.	Both	21"	12" 15"						
I-S 3+70 VINE ST.	Both	12"	34						
TOTALS			84 45 34 90 98 32 290	1 2 3	1 2 3	1 1	1 1	103	

PLAN & PROFILE RAMP N°13 STA. 0+00 to STA. 8+10.86