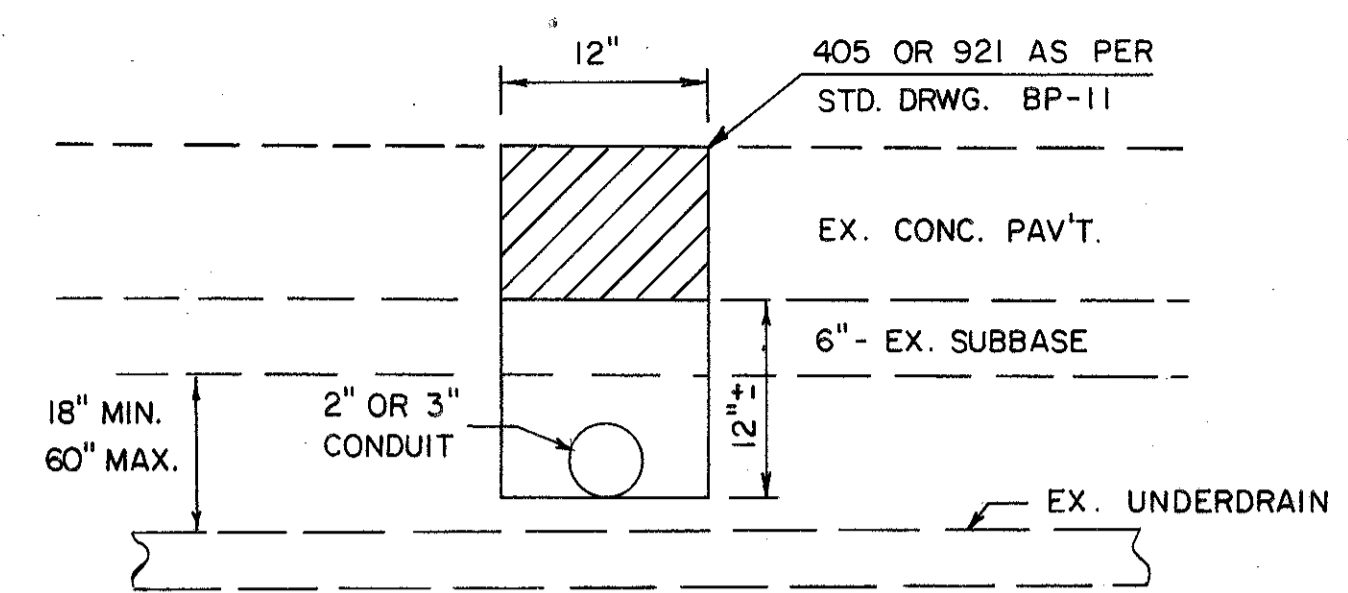
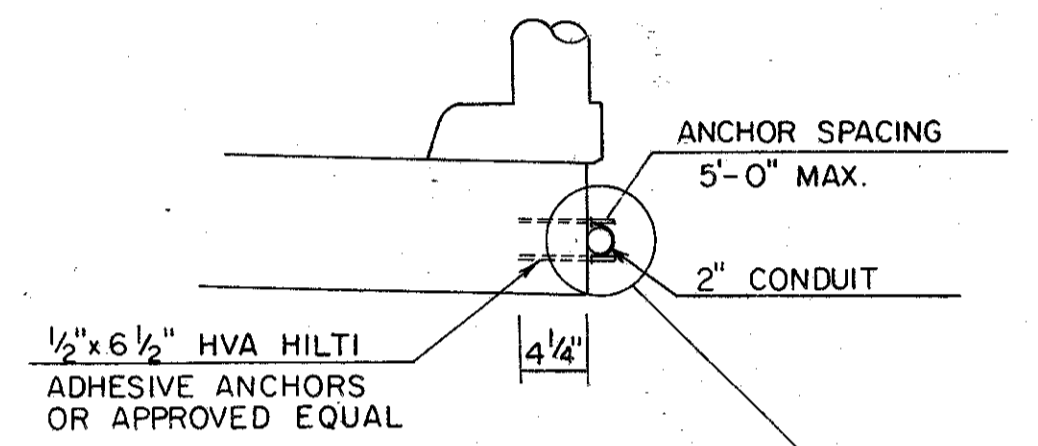
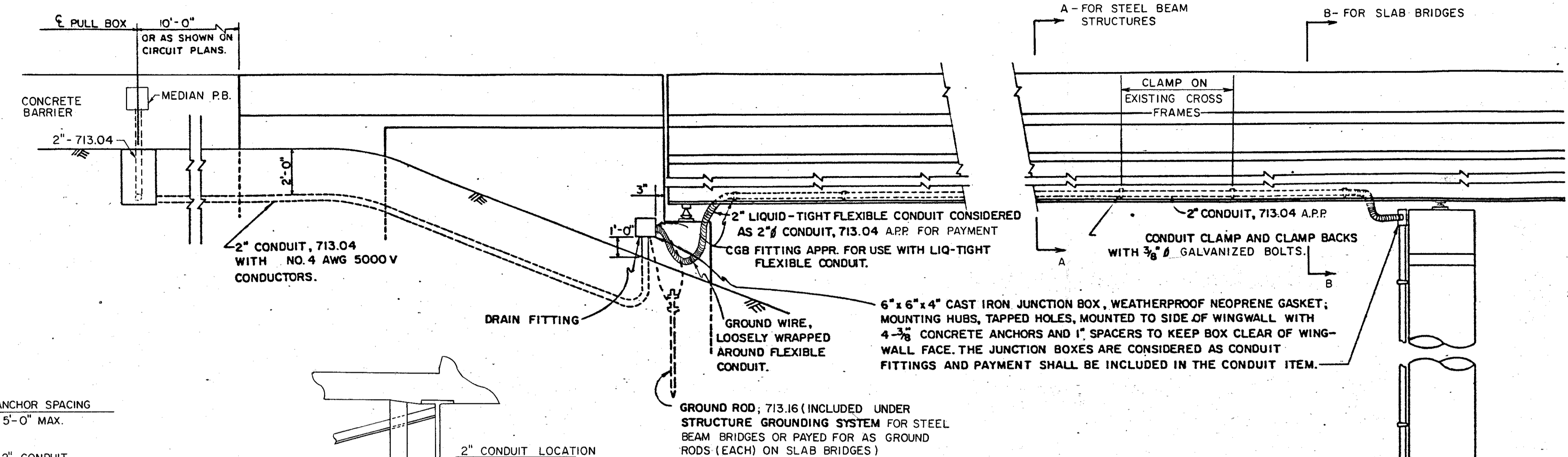


LIGHTING DETAILS

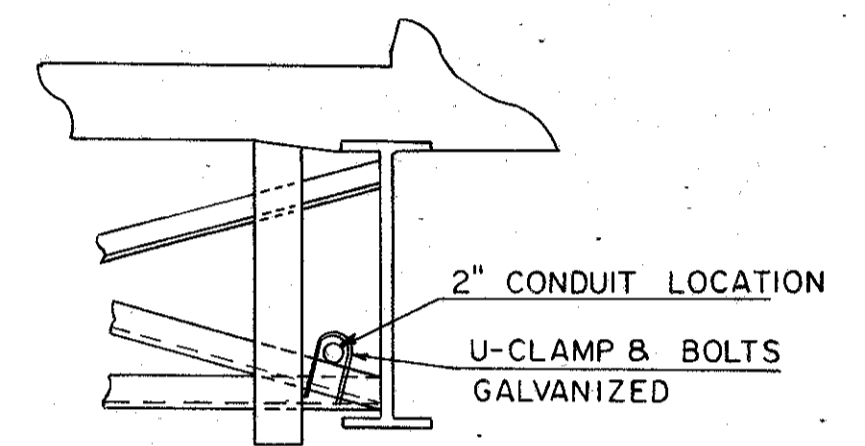


TRENCH, AS PER PLAN

NOTE: CONTRACTOR SHALL USE EXTREME CAUTION WHEN PLACING CONDUIT SO AS NOT TO DAMAGE EXISTING UNDERDRAINS. ANY UNDERDRAINS DAMAGED DUE TO CONTRACTOR'S NEGLIGENCE SHALL BE REPLACED AT NO ADDITIONAL COST TO THE STATE.

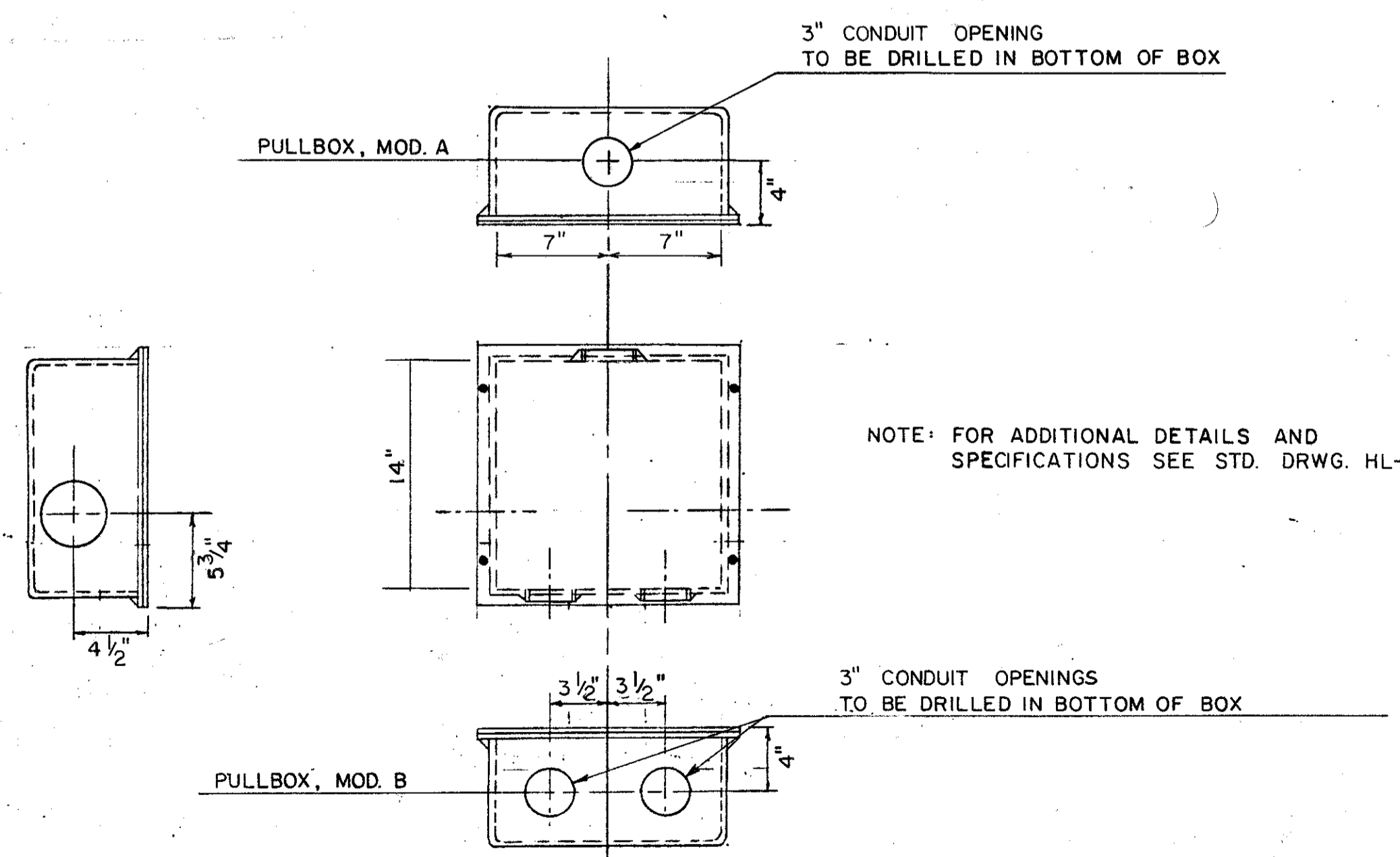


SECTION B-B FOR SLAB BRIDGES



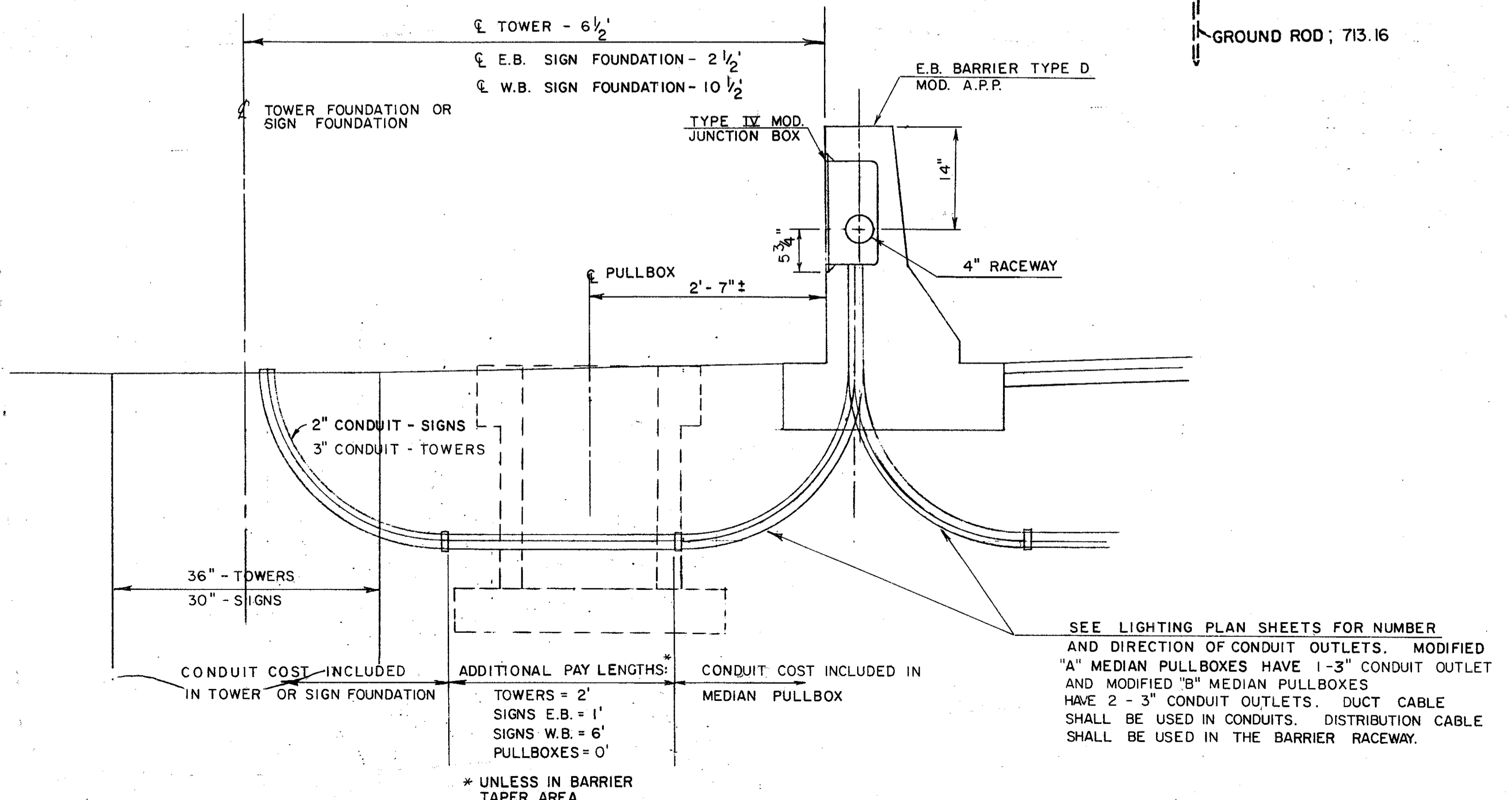
SECTION A-A FOR STEEL BEAM STRUCTURES

2" CONDUIT, 713.04 A.P.P. ON STRUCTURE



JUNCTION BOX TYPE IV MODIFIED

NOTE: FOR ADDITIONAL DETAILS AND SPECIFICATIONS SEE STD. DRWG. HL-22.



MEDIAN PULLBOX MODIFIED A OR B DETAILS