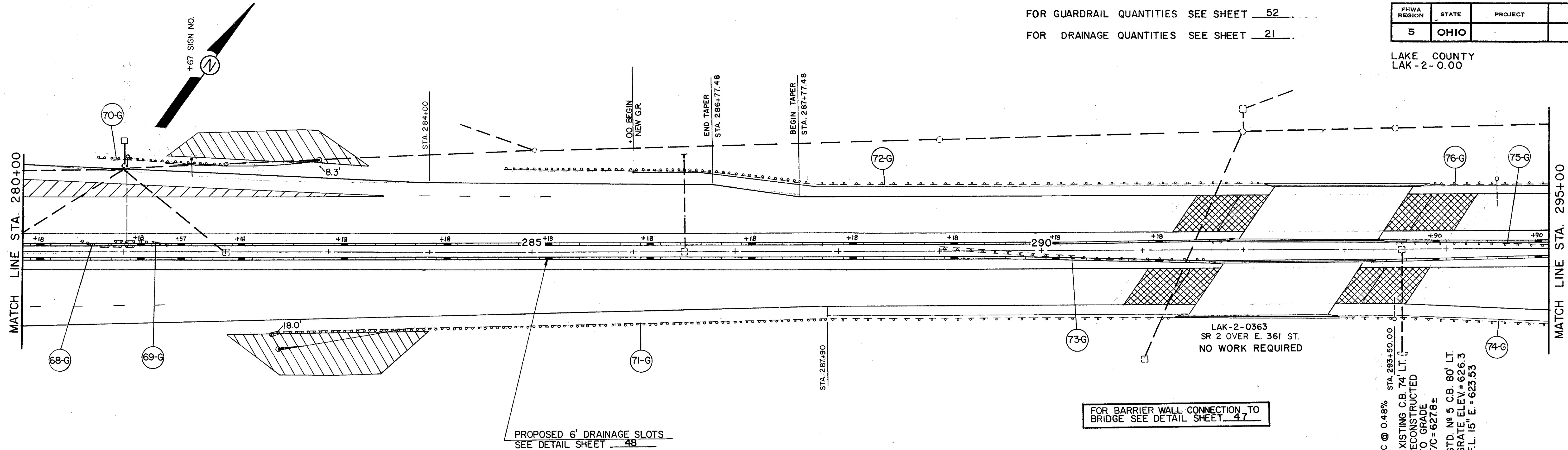


FOR GUARDRAIL QUANTITIES SEE SHEET 52
 FOR DRAINAGE QUANTITIES SEE SHEET 21

FHWA REGION	STATE	PROJECT
5	OHIO	

39
171

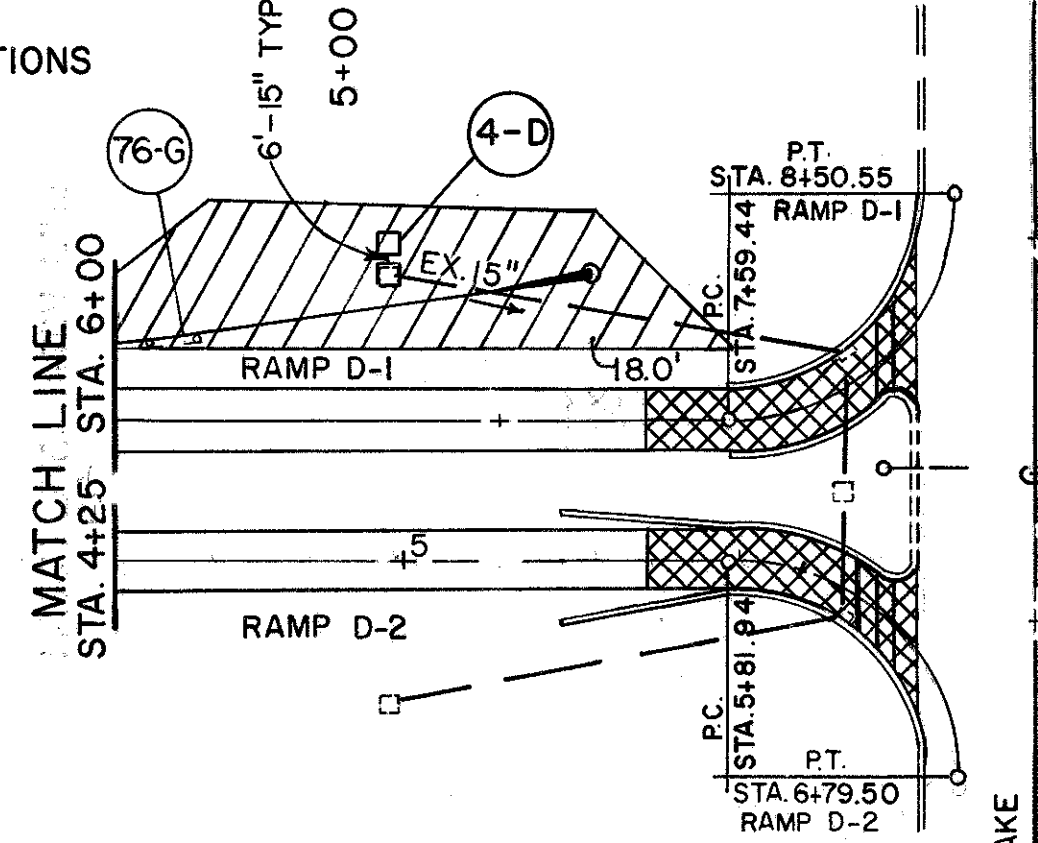
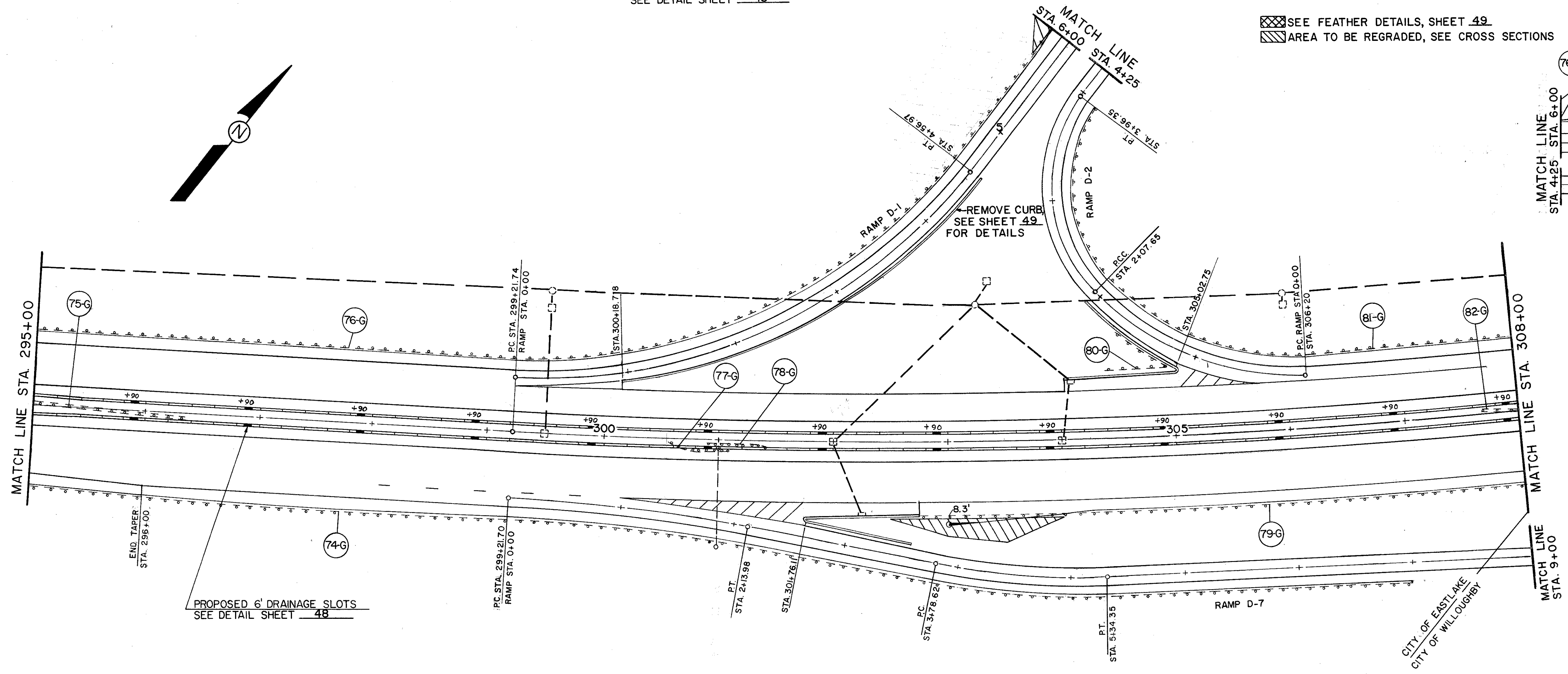
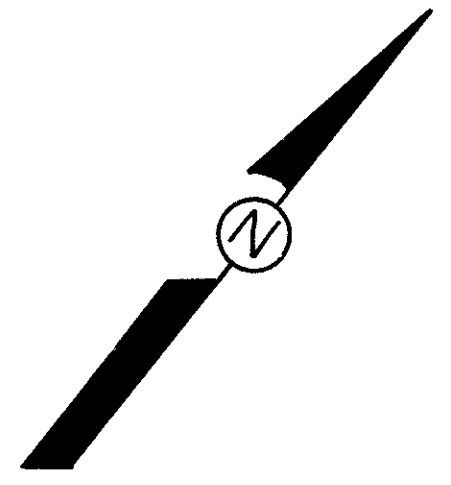
LAKE COUNTY
LAK-2-0.00



FOR BARRIER WALL CONNECTION TO BRIDGE SEE DETAIL SHEET 47

SEE FEATHER DETAILS, SHEET 49
 AREA TO BE REGRADED, SEE CROSS SECTIONS

6'-15" TYPE C @ 0.48%
 5+00 EXISTING C.B. 74' LT. RECONSTRUCTED TO GRADE
 T/C = 6278±
 STD. N° 5 C.B. 80' LT. GRATE ELEV. = 626.3 F.L. 15" E. = 623.53



CITY OF EASTLAKE
 CITY OF WILLOUGHBY

MATCH LINE STA. 121+00