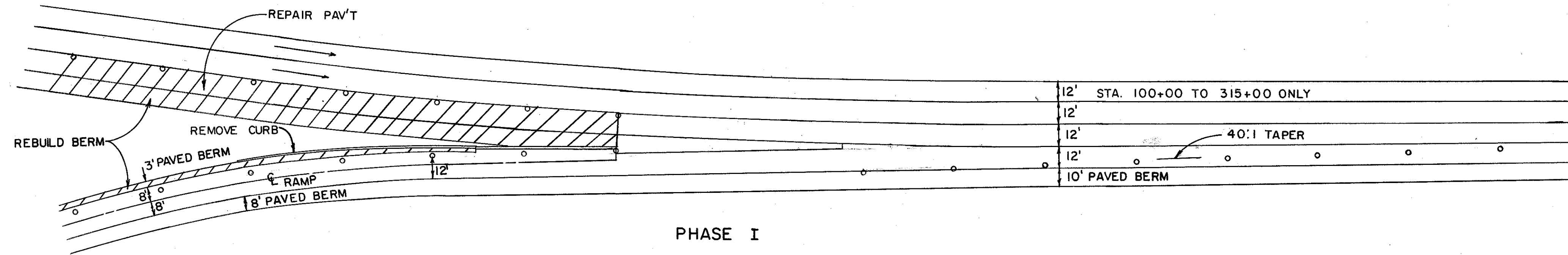


MAINTAINING TRAFFIC ENTRANCE TERMINAL

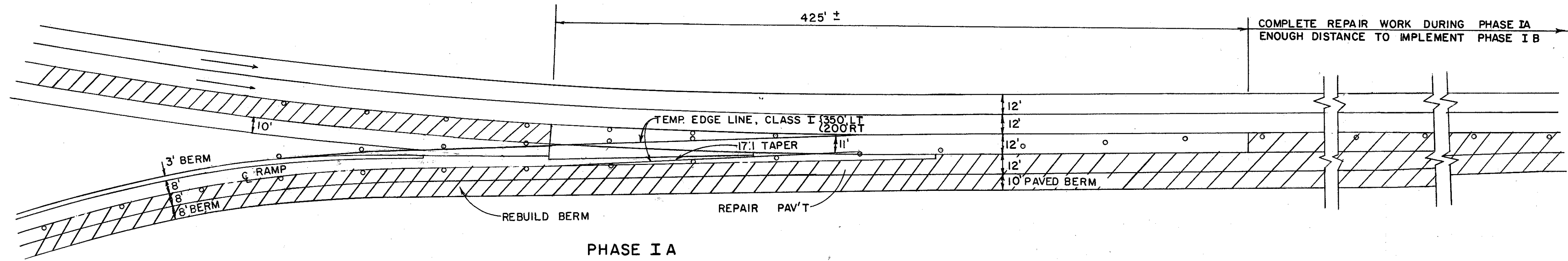
FHWA REGION	STATE	PROJECT
5	OHIO	

15
171

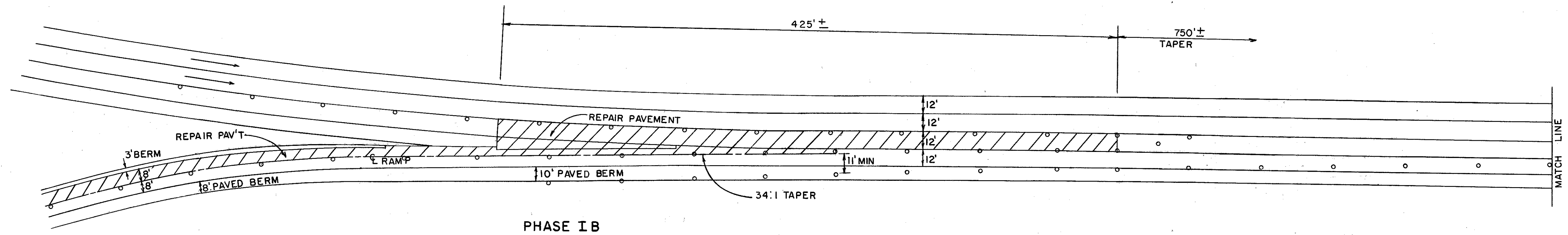
LAKE COUNTY
LAK-2-0.00



PHASE I



PHASE I A



PHASE I B

