

Plat of Survey

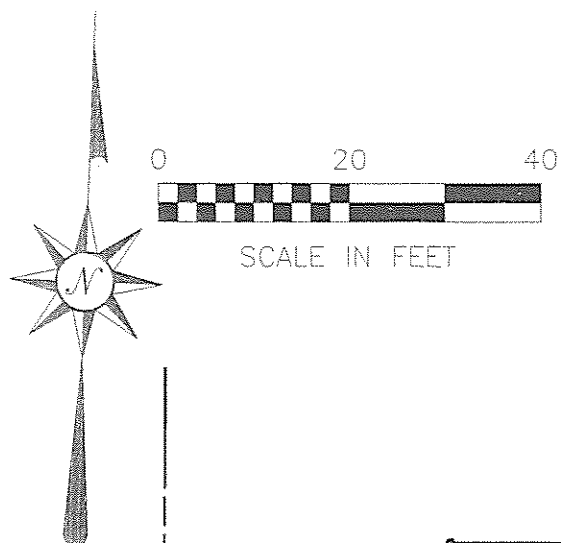
PREPARED FOR

Victoria A. Volpe

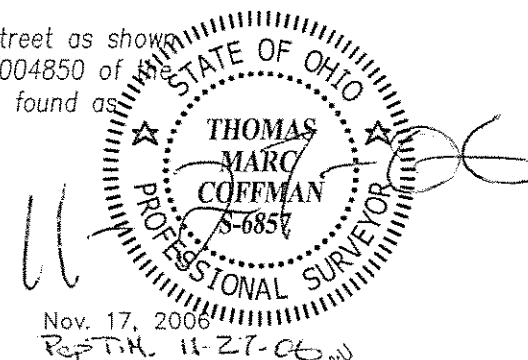
BEING KNOWN AS PART OF THE CHESTNUT STREET ALLOTMENT (PROPOSED). ALSO KNOWN AS PPN 14A-011A-00-019 IN THE VILLAGE OF FAIRPORT HARBOR, COUNTY OF LAKE, STATE OF OHIO.

PARCEL - 'A'
 Victoria A. Volpe
 Inst. No. 200008036
 14A-011A-00-019
 Area-0.1131 Ac.

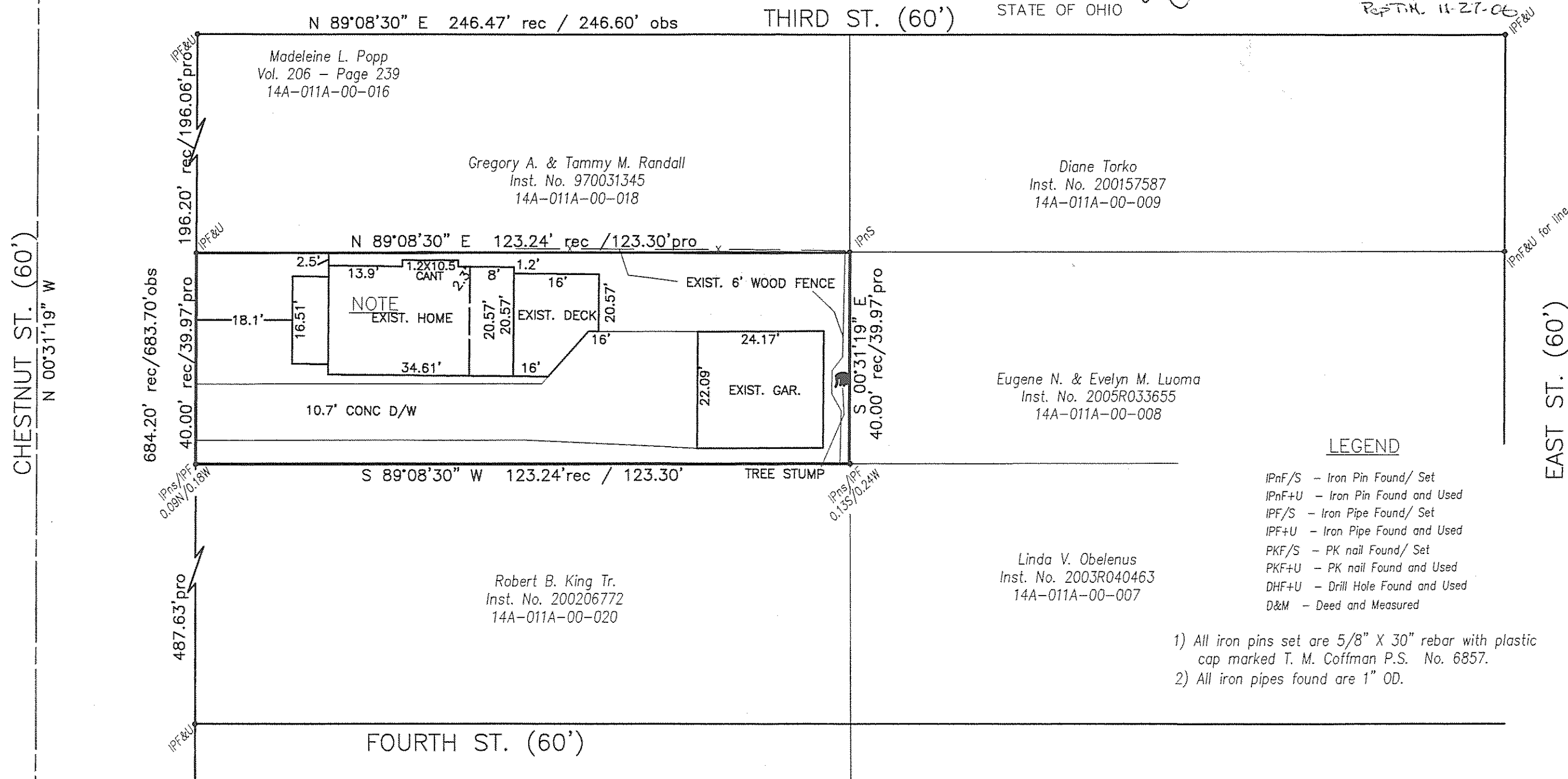
I, the undersigned hereby certifies that the boundary survey represented by this plat and that all monumentation set has been done in accordance with the specifications set forth in Chapter 4733 - 37 of the Ohio Administrative Code. This plat was prepared from a field survey, and analysis of recorded and proposed plats and deeds. Distances are given in feet and decimal parts thereof. Basis for bearing is the bearing of Chestnut Street as shown in the deed recorded as Instrument No. 2001R004850 of Lake County Deed Records and monumentation found as shown on this plat.



Thomas M. Coffman
 THOMAS M. COFFMAN P.S., DATE
 REGISTERED SURVEYOR No. 6857
 STATE OF OHIO



Nov. 17, 2006
 Ref. T.M. 11-27-06



LEGEND

- IPnF/S - Iron Pin Found/ Set
- IPnF+U - Iron Pin Found and Used
- IPF/S - Iron Pipe Found/ Set
- IPF+U - Iron Pipe Found and Used
- PKF/S - PK nail Found/ Set
- PKF+U - PK nail Found and Used
- DHF+U - Drill Hole Found and Used
- D&M - Deed and Measured

- 1) All iron pins set are 5/8" X 30" rebar with plastic cap marked T. M. Coffman P.S. No. 6857.
- 2) All iron pipes found are 1" OD.