

SCHWARTZ AND ZAREMSKY INC SUBDIVISION No 2
PROPOSED

LOT No 4

N 47° 28' 25" E.

567.10 Obs.

Iron Pipe Used

491.32

0.10 S

Stone Found

396.08

0.15 S
Iron Pin Found

Stone Used

PLAT of SURVEY

for THE LUBRIZOL CORP.

OF TWO PARCEL OF LAND ON LAKELAND BLVD,
JAMES L. & BESSIE E. FLEMING AND J. V. ZUPNIK,
BEING PART OF ORIGINAL WILLOUGHBY TOWNSHIP
LOTS No 6 AND 7 IN TRACT No 12 NOW IN THE CITY
OF WICKLIFFE, OHIO.

SCALE: 1" = 50'

AUGUST, 1955

FRANK A THOMAS & ASSOCIATES
CIVIL ENGINEERS & SURVEYORS

JAMES L. & BESSIE E FLEMING

3-27-46

VOL. 209 PG. 233

10.211 Ac

J. V ZUPNIK

10-16-24

VOL 99 PG. 185

8.957 Ac

LUBERT H SCHNEIDER

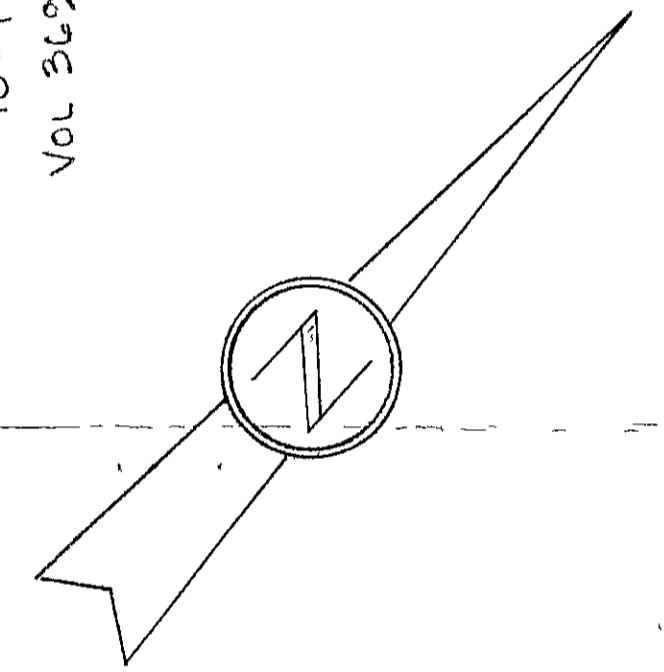
10-19-54
VOL 369 PG 470

N 42° 26' 39" W
1012.81

DAVID V FORD
PARCEL #2
10-19-54
VOL 369 PG 466

N 42° 41' 37" W
853.49
LOT No 6
LOT No 7

N 42° 32' 45" W
957.82
LOT No 7
LOT No 6



ROAD

LLOYD

1097.52 Rec

Iron Pin Used

1097.92 Obs

273.61

LAKELAND

N 66° 07' 30" E.

BLVD

Iron Pin Set

273.61
226.59
500.20

Δ = 2-42-03
N 58° 46' 20" E
A = 226.59 C = 226.57

(ROAD RECORD

Rec & Data VOL C PG 441)
Calc & Data
J = 236.62 A = 472.87 C = 472.68 R = 4845.20
T = 236.69 A = 473.01 C = 472.820 R = 4846.74

Iron Pin Set

Δ = 2-53-27

N 55° 58' 43" E
A = 242.50 C = 242.48

155.67
142.50
338.17

Iron Pin Set

33.67

Iron Pin Used

727.14 Rec

727.53 Obs

N 54° 32' 00" E.

80'

Iron Pin Used

TO ALL PERSONS INTERESTED IN THE TITLE TO THE PREMISES
SHOWN ON THIS PLAT
I HEREBY CERTIFY THAT WE PERSONALLY MADE AN ACTUAL
SURVEY OF THE PREMISES SHOWN ON THIS PLAT ON THE
10 DAY OF AUGUST 1955. AND THIS PLAT IS A CORRECT
REPRESENTATION OF THE PREMISES AS DETERMINED
BY SAID SURVEY.

Frank A Thomas
FRANK A THOMAS REGISTERED SURVEYOR No 2029

