

**Erosion and Sediment Control Schedule**

**Ingress-Egress**

A stone access drive complete with under lying geo-textile fabric (20 feet wide and 50 feet long) for ingress and egress at the site shall be installed. This drive shall be the only entrance and exit to the site.

**Silt Fence**

A silt fence shall be installed prior to any earthwork activities at the site in the locations shown on the site plan as well as along the front of any lot that slopes towards the street.

**Temporary Seeding**

Disturbed areas of the site that are to remain idle for more than twenty-one(21) days shall be properly seeded and straw mulched within seven(7) days of completion of initial grading. Temporary seeding and mulching on a thirty(30) foot strip of the entire front of the lot shall be maintained on the site once initial grading is complete.

Stabilization of critical areas within fifty(50) feet of any stream or wetland shall be complete within two(2) days of the disturbance if the site is to remain inactive for longer than fourteen(14) days.

**Mulching**

Straw-mulch shall be applied at a rate of 1 bale per every ten (10) feet of curb, at a width of thirty(30) feet to the entire length of the lot. Wood chips may also be used but must be spread at a minimum depth of four inches over the thirty-foot width and must be accompanied by a properly installed silt fence.

**Maintenance**

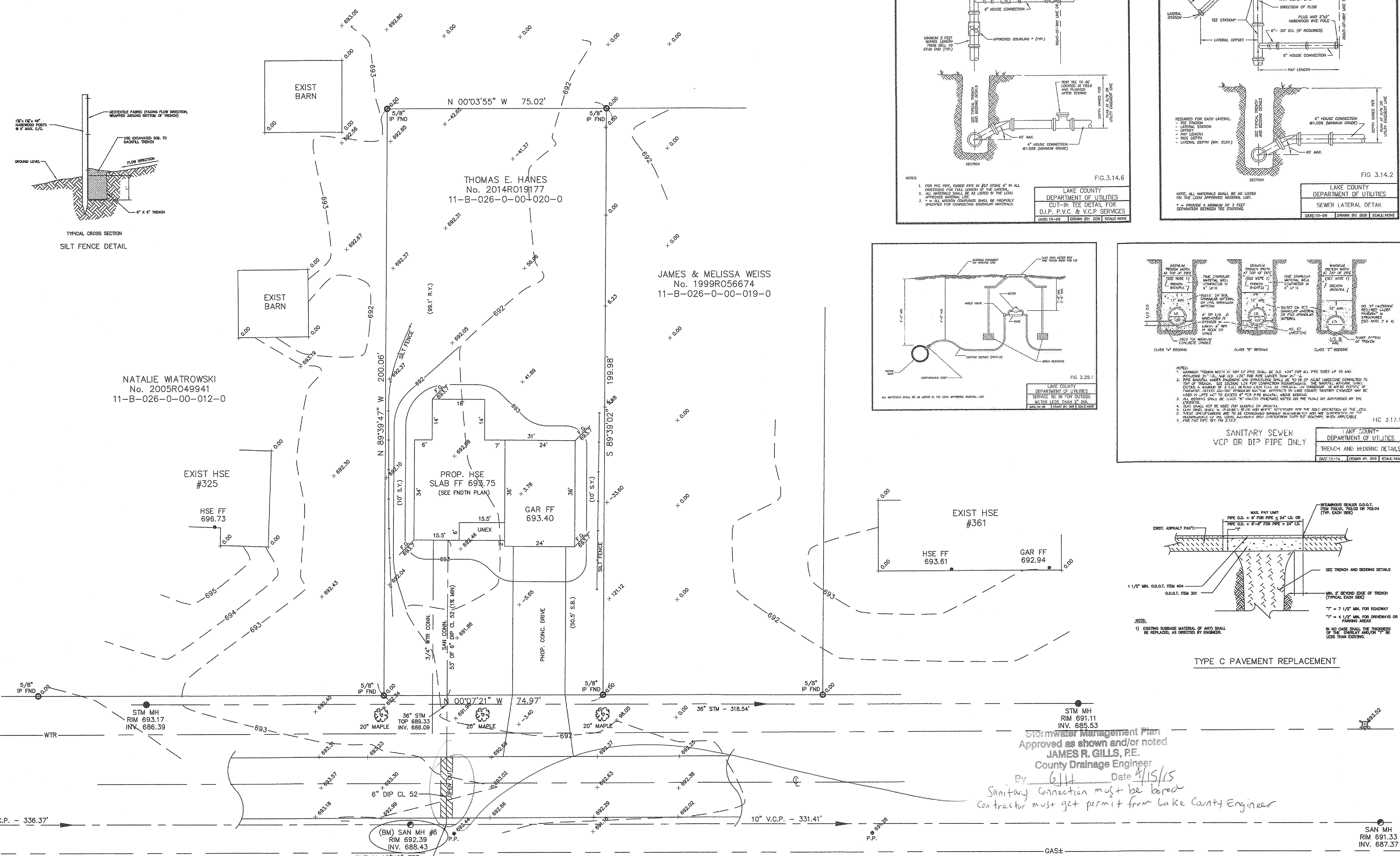
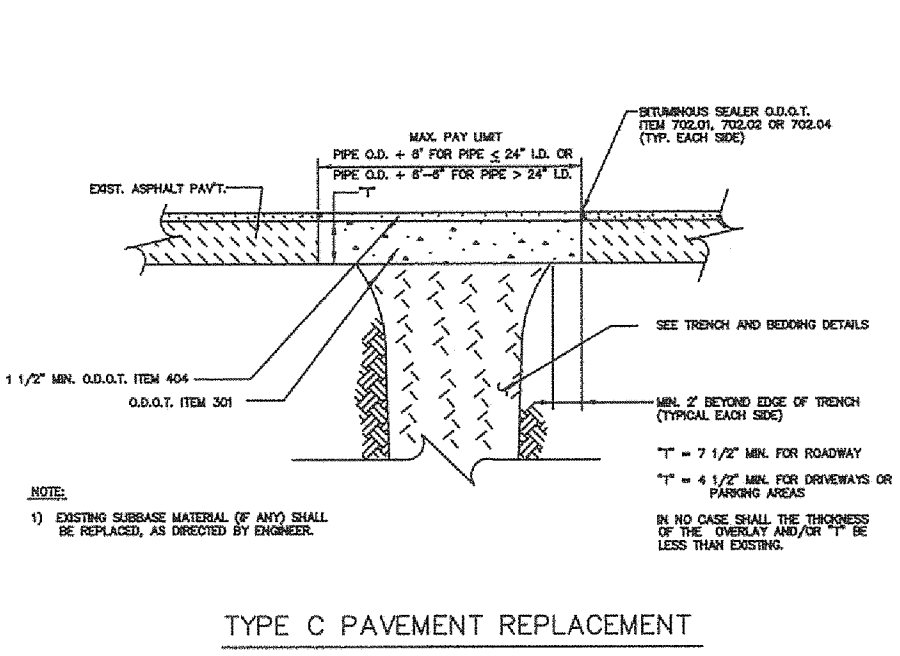
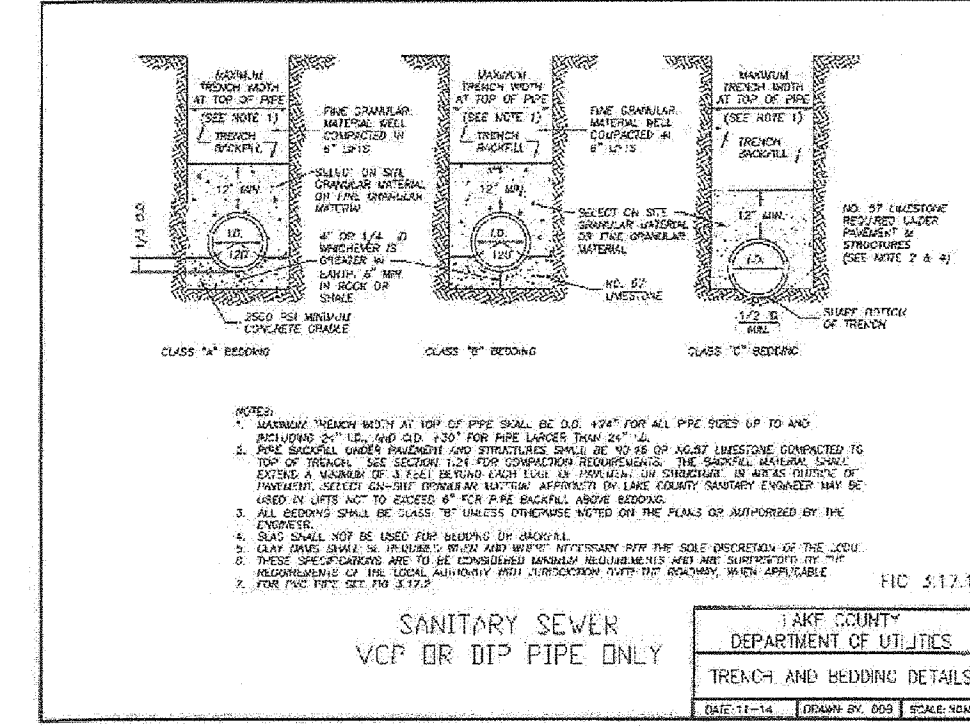
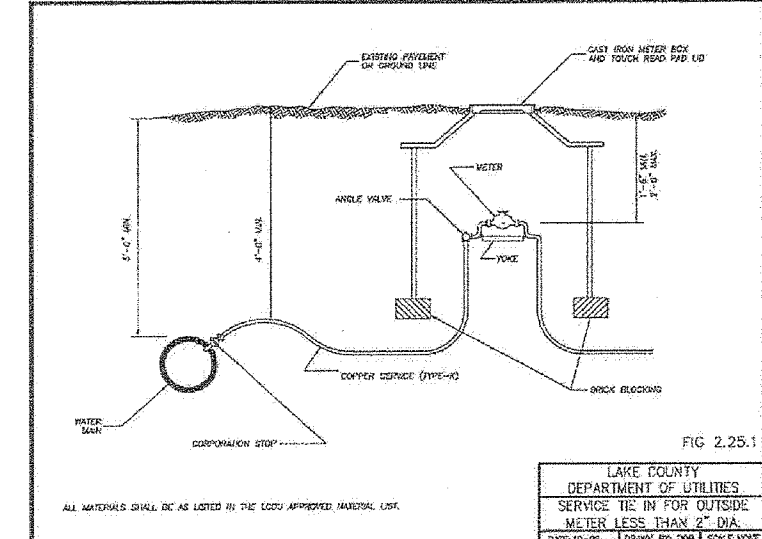
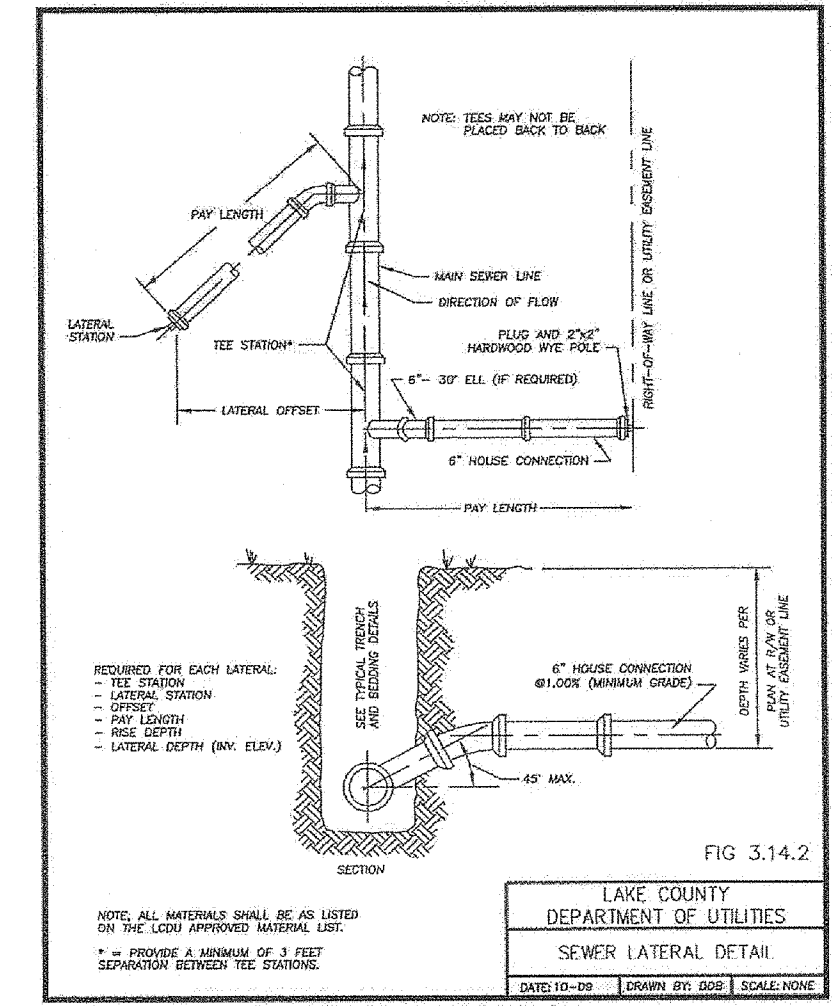
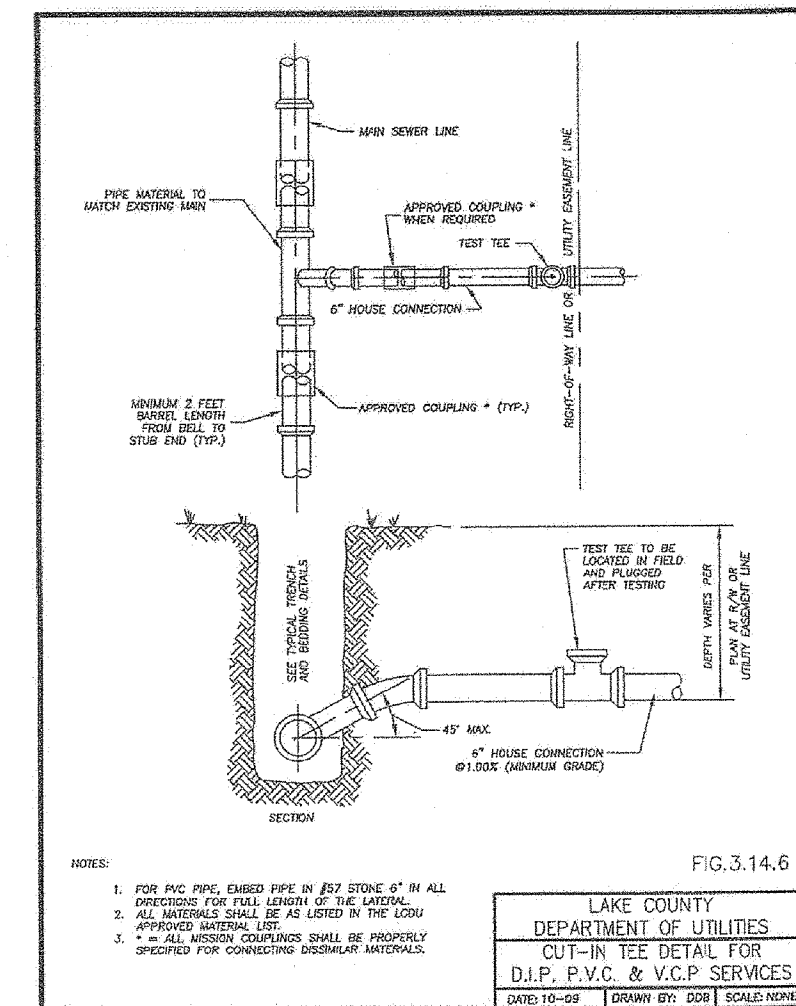
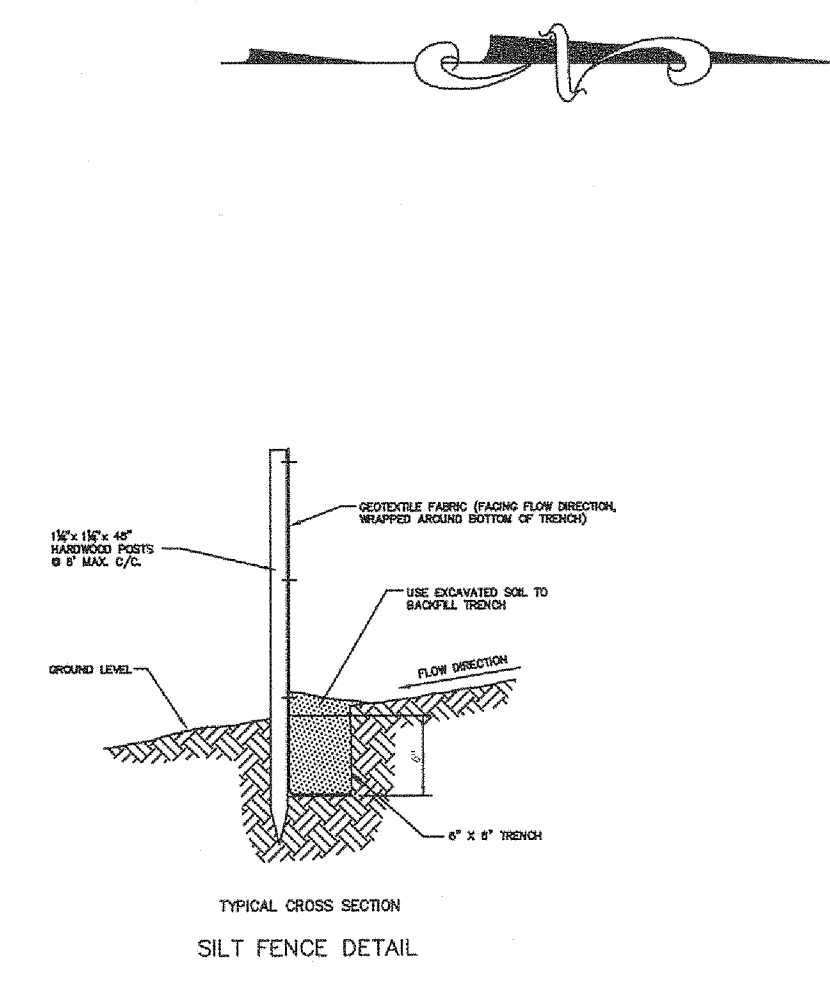
Erosion and sediment controls shall be inspected every seven(7) days or within 24 hours of a 0.5" or greater rainfall event. Necessary repairs shall be made at this time.

**Description** Temporary seeding provides erosion control on areas in between construction operations. Grasses which are quick growing are seeded and usually mulched to provide prompt, temporary soil stabilization. It effectively minimizes the area of a construction site prone to erosion and should be used everywhere the sequence of construction operations allows vegetation to be established.

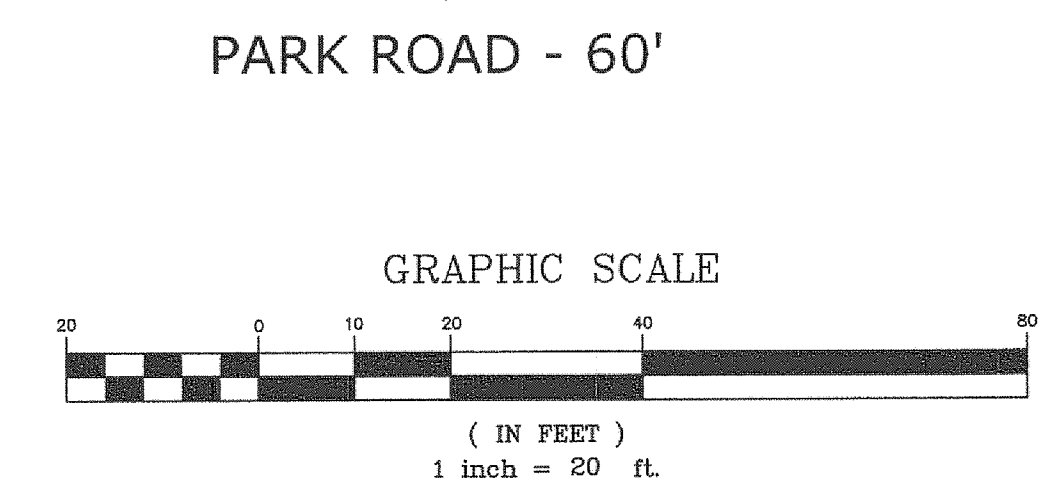
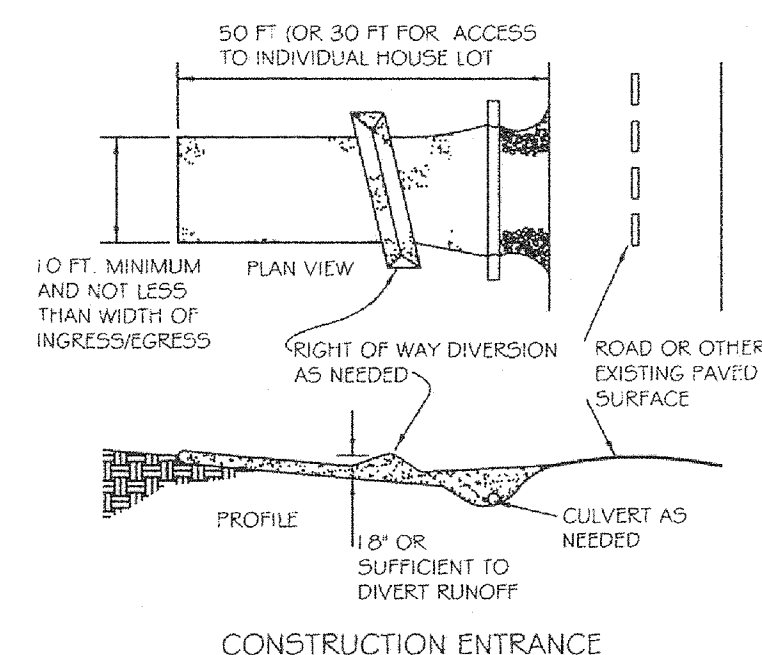
Temporary Seeding Species Selection			
Seeding Dates	Species	Lb./1,000 ft. <sup>2</sup>	Per Ac.
March 1 to August 15	Oats	3	4 bushel
	Tall Fescue	1	40 lb.
	Annual Ryegrass	1	40 lb.
	Perennial Ryegrass	1	40 lb.
August 16 to November 1	Rye	3	2 bushel
	Tall Fescue	1	40 lb.
	Annual Ryegrass	1	40 lb.
	Perennial Ryegrass	1	40 lb.
November 1 to Spring Seeding	Wheat	3	2 bushel
	Tall Fescue	1	40 lb.
	Annual Ryegrass	1	40 lb.
	Perennial Ryegrass	1	40 lb.

Note: Other approved seed species may be substituted.

**TEMPORARY SEEDING**

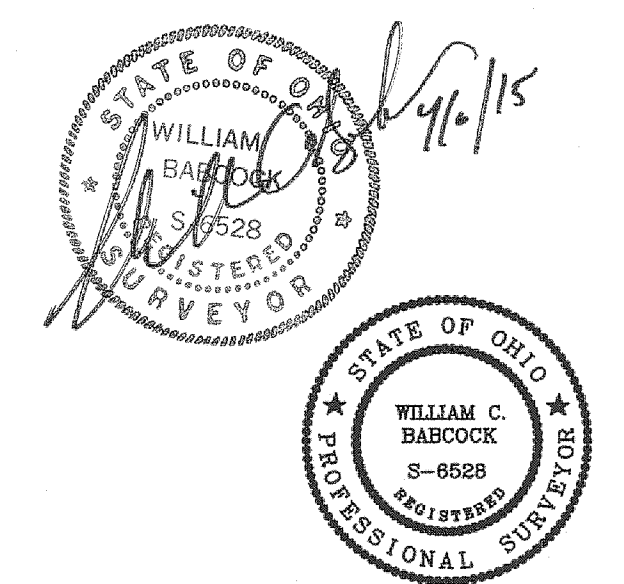


**2 WORKING DAYS BEFORE YOU DIG**  
CALL TOLL FREE 800-362-2764  
OHIO UTILITIES PROTECTION SERVICE



\*Note: Sanitary tie in to be field vacated prior to setting house elevation.

BM - SANITARY MANHOLE #6  
ELEV - 692.39



REV NO.	DESCRIPTION	DATE	BY	CHK'D

**BABCOCK LAND SURVEYORS**  
SURVEYORS & LAND PLANNERS  
PAINESVILLE OHIO 44077  
babcocklandsurveyors@yahoo.com

DATE: 3/23/15  
DESIGN BY: W.B.  
DRAWN BY: B.P.  
APPROVED BY: W.B.  
CREW CHIEF: R.B.

SITE PLAN FOR THOMAS E. HANES  
PAINESVILLE TOWNSHIP  
LAKE COUNTY  
STATE OF OHIO

SCALE: 1"=20'  
JOB No. 15-04  
SHEET 1 OF 1

335 Park Rd